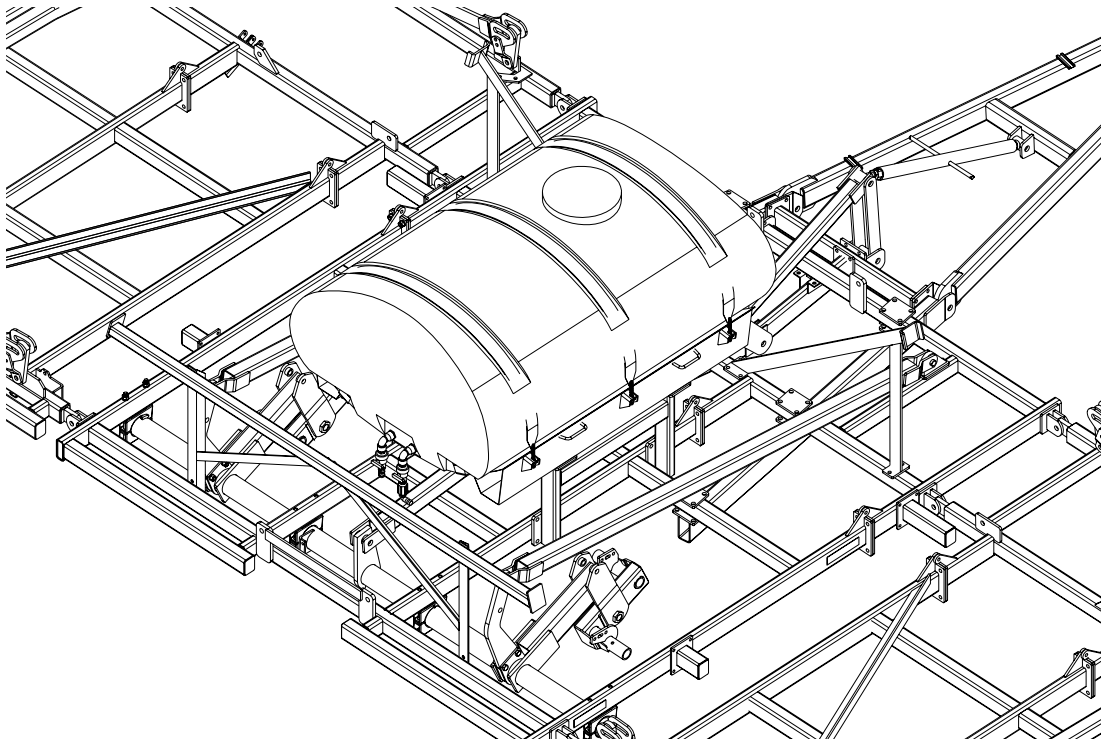




ASSEMBLY/OPERATORS MANUAL



700088

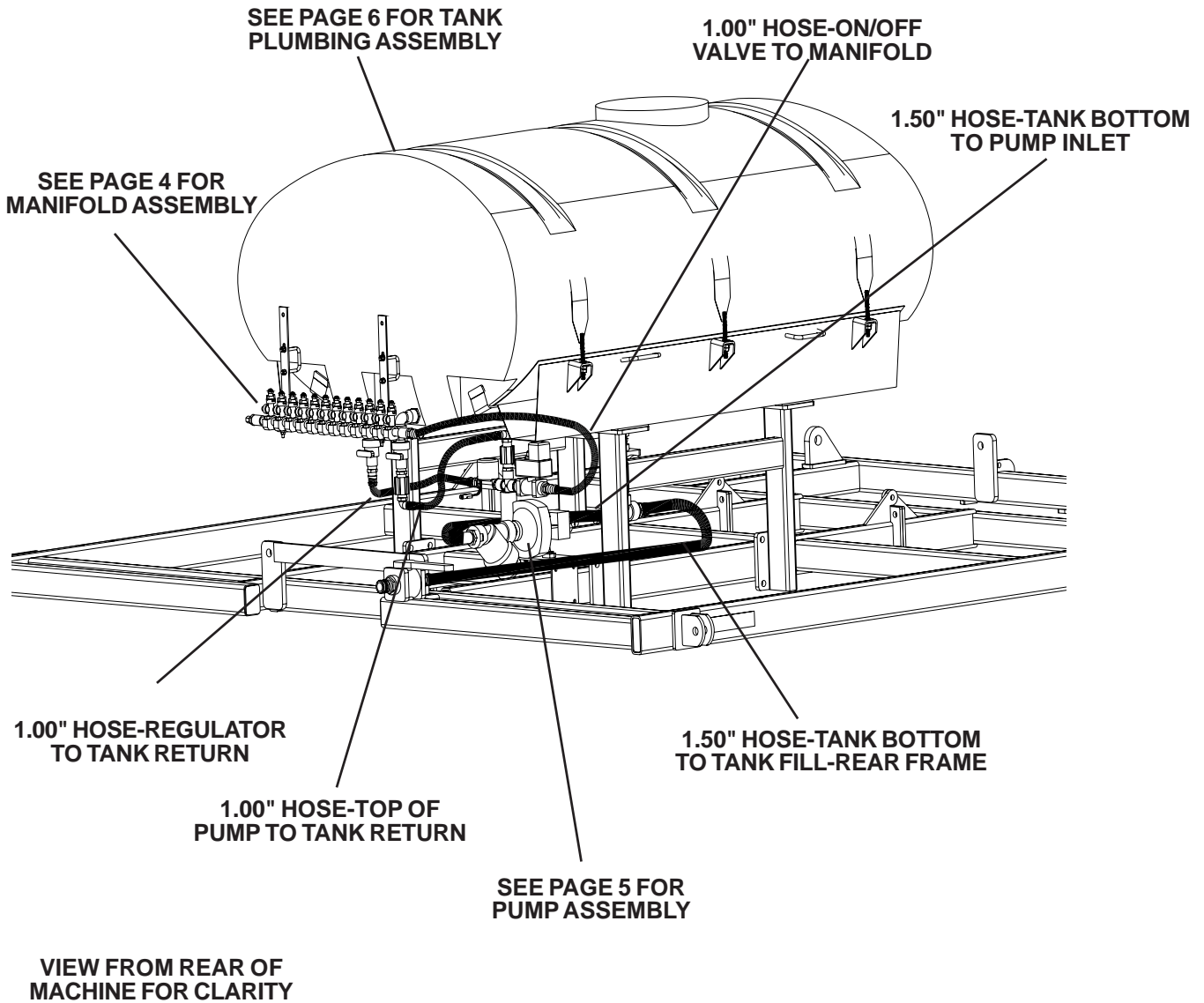
XL² 500 GALLON TANK ASSEMBLY



WIL-RICH
PO Box 1030
Wahpeton, ND 58074
PH (701) 642-2621
Fax (701) 642-3372
WWW.WIL-RICH.COM

HOSE PLUMBING

FRAME MEMBERS
REMOVED FOR CLARITY



PAGE 3 TANK MOUNT

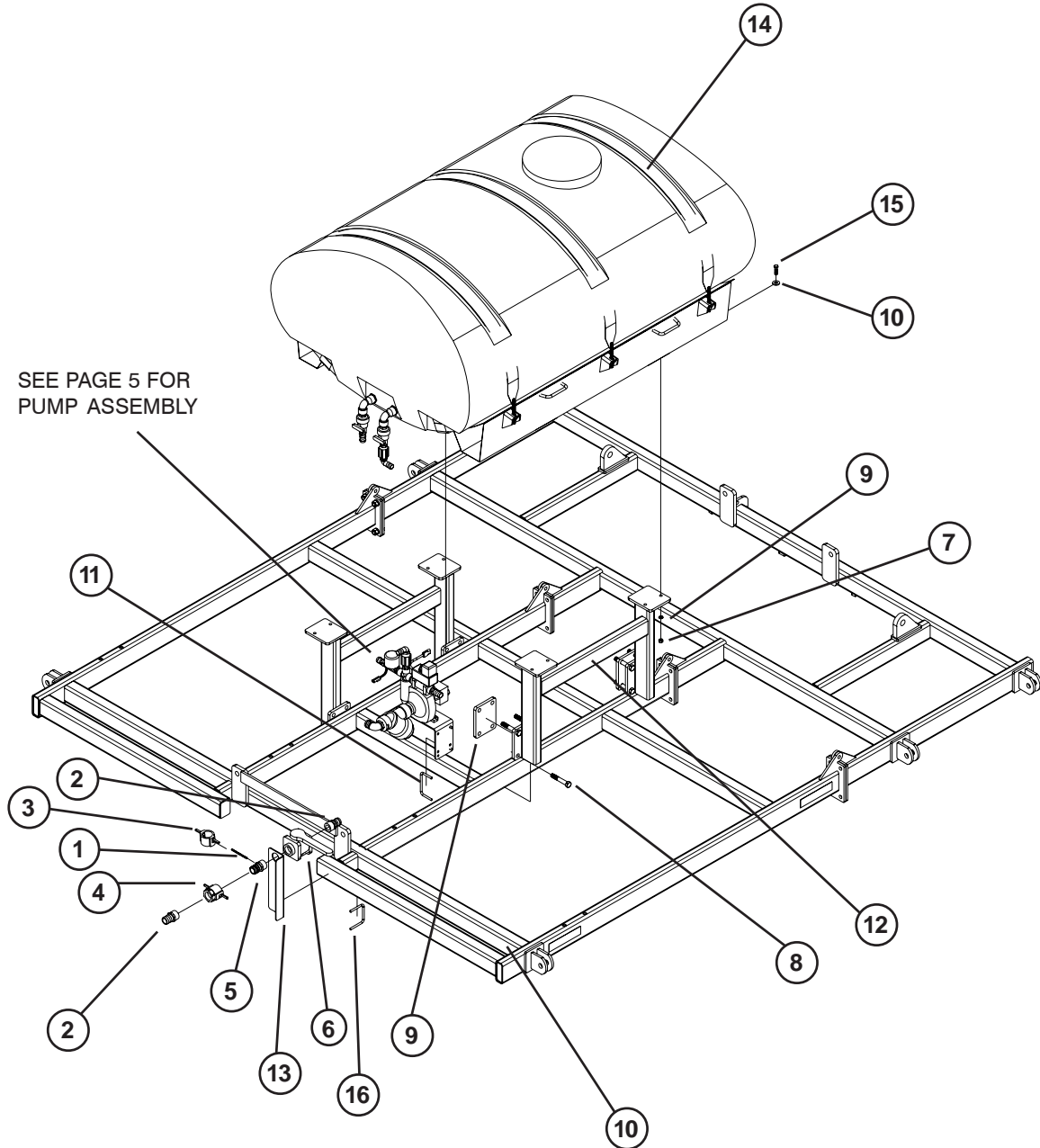
PAGE 7 HYDRAULIC HOSE PLACEMENT

PAGE 8 GAUGE ISOLATER

PAGE 9 TUBE HOLDER ILLUSTRATION

PAGE 10 APPLICATION RATE CHART

TANK MOUNTING

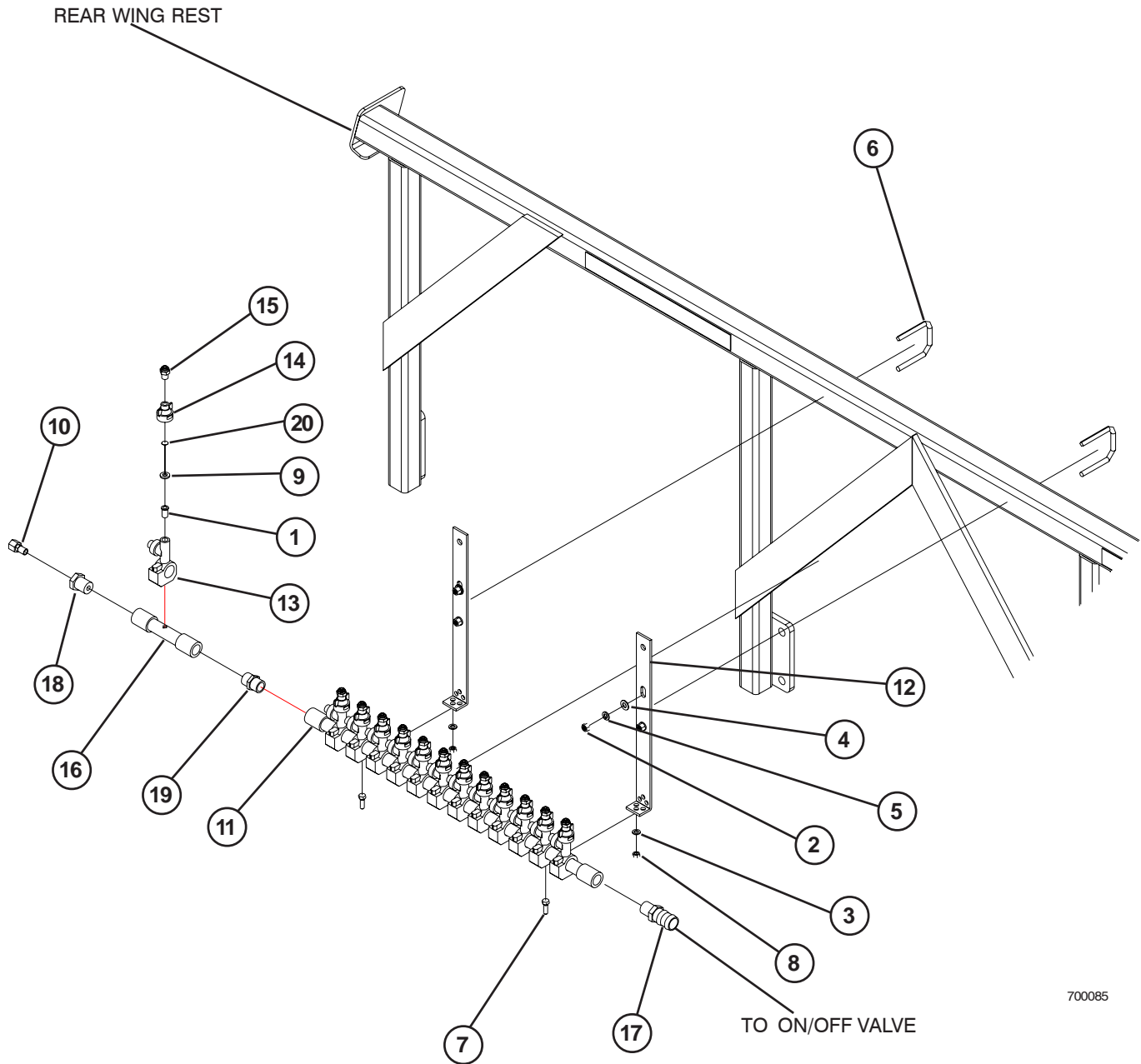


700473

ITEM	PART NO.	DESCRIPTION
1	44522	#3 CHAIN ASSEMBLY W/S-HOOKS
2	46175	1-1/2"MPT x 1-1/2"HB ADAPTER
3	46606	CAM LOCK DUST CAP 1-1/2"
4	46607	1-1/2"F x 1-1/2"FPT COUPLER
5	46609	1-1/2"M x 1-1/2"MPT ADAPTER
6	46614	1-1/2" BALL VALVE
7	88104	NUT HEX 1/2"NC
8	88421	3/4NCx4-1/2 GR5 HEX BOLT
9	88303	1/2" LOCK WASHER

ITEM	PART NO.	DESCRIPTION
10	88347	1/2" FLAT WASHER
11	89280	3/8" x 5" x 3" U-BOLT
12	243649	TANK MOUNT WELD
13	243667	MOUNTING PLATE 1-1/2" BALL VALVE
14	239850	500 GALLON TANK KIT
15	88517	1/2"NCx1-3/4" GR5 HEX BOLT
16	88514	3/8"x4"x3-3/4" U-BOLT

MANIFOLD MOUNT

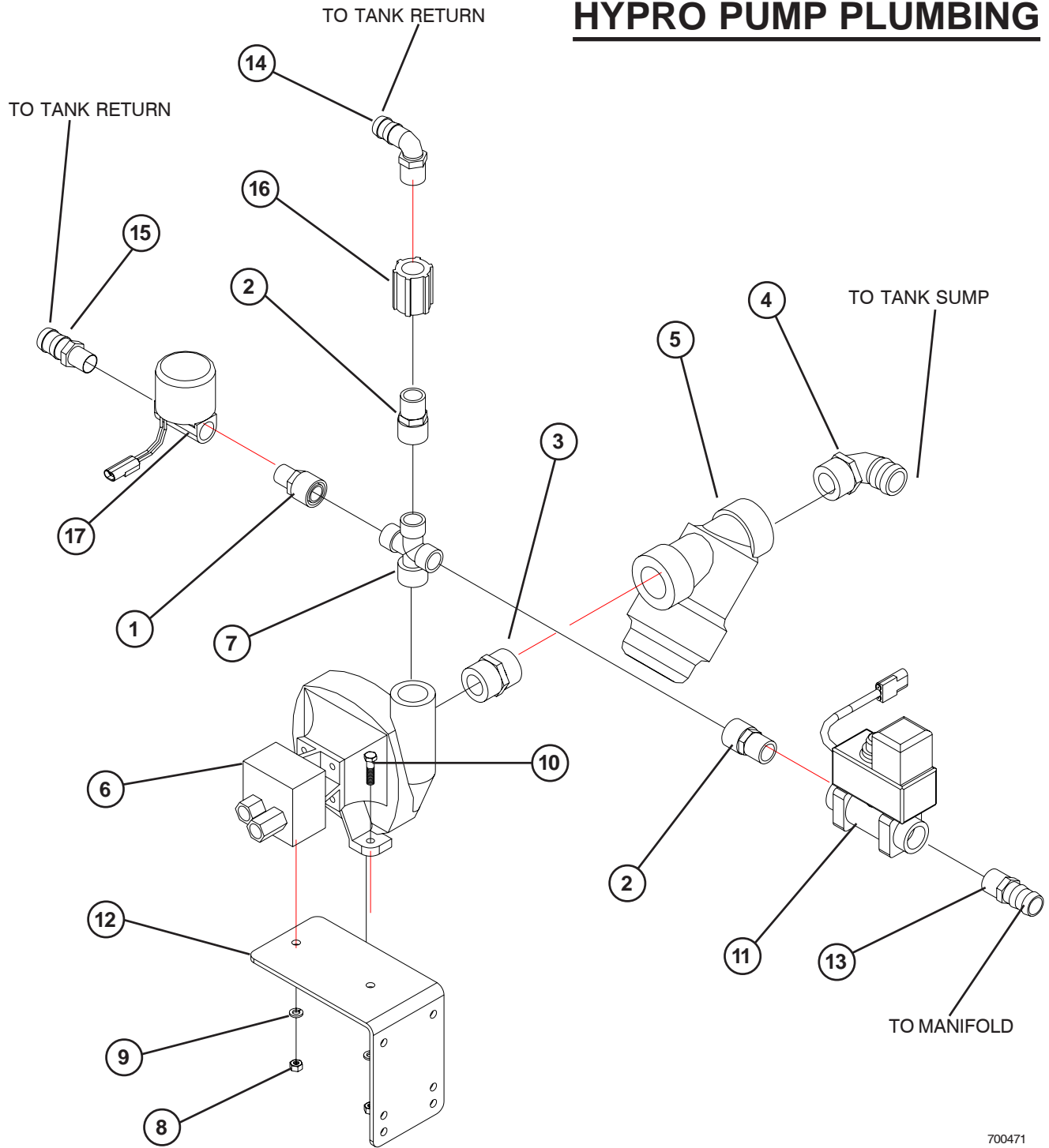


700085

ITEM	PART NO.	DESCRIPTION
1	61192	TEE JET 50MESH POLY STRAINER
2	88103	NUT HEX 3/8"NC
3	88278	5/16" FLAT WASHER
4	88282	3/8" FLAT WASHER
5	88362	3/8" LOCK WASHER
6	88386	3/8" x 2-1/2" x 3-1/2" U-BOLT
7	88478	5/16"NCx1" GR5 HEX BOLT
8	88832	5/16" TOP LOCK NUT
9	B112261	RUBBER GASKET
10		1/4" HOSE COUPLER

ITEM	PART NO.	DESCRIPTION
11	239825	12 HOLE MANIFOLD
12	239826	STRAP-MANIFOLD MOUNT
13	239827	NOZZLE BODY-LIQUID FERT
14	239828	NOZZLE BODY CAP
15	239829	NOZZLE HS CONN 1/4"MPTx1/4"OD TUBE
16	239836	MANIFOLD EXT 6"-ONE NOZZLE
17	239839	3/4" MPT x 1" HB
18	239840	3/4"MPT x 1/4"FPT RDCR BSHNG
19	239842	3/4" SCH80 NIPPLE
20	239844	ORIFICE PLATE SS 4916-35
	239845	ORIFICE PLATE SS 4916-49
	239846	ORIFICE PLATE SS 4916-70
	239847	ORIFICE PLATE SS 4916-98
	239848	ORIFICE PLATE SS BLANK

HYPRO PUMP PLUMBING

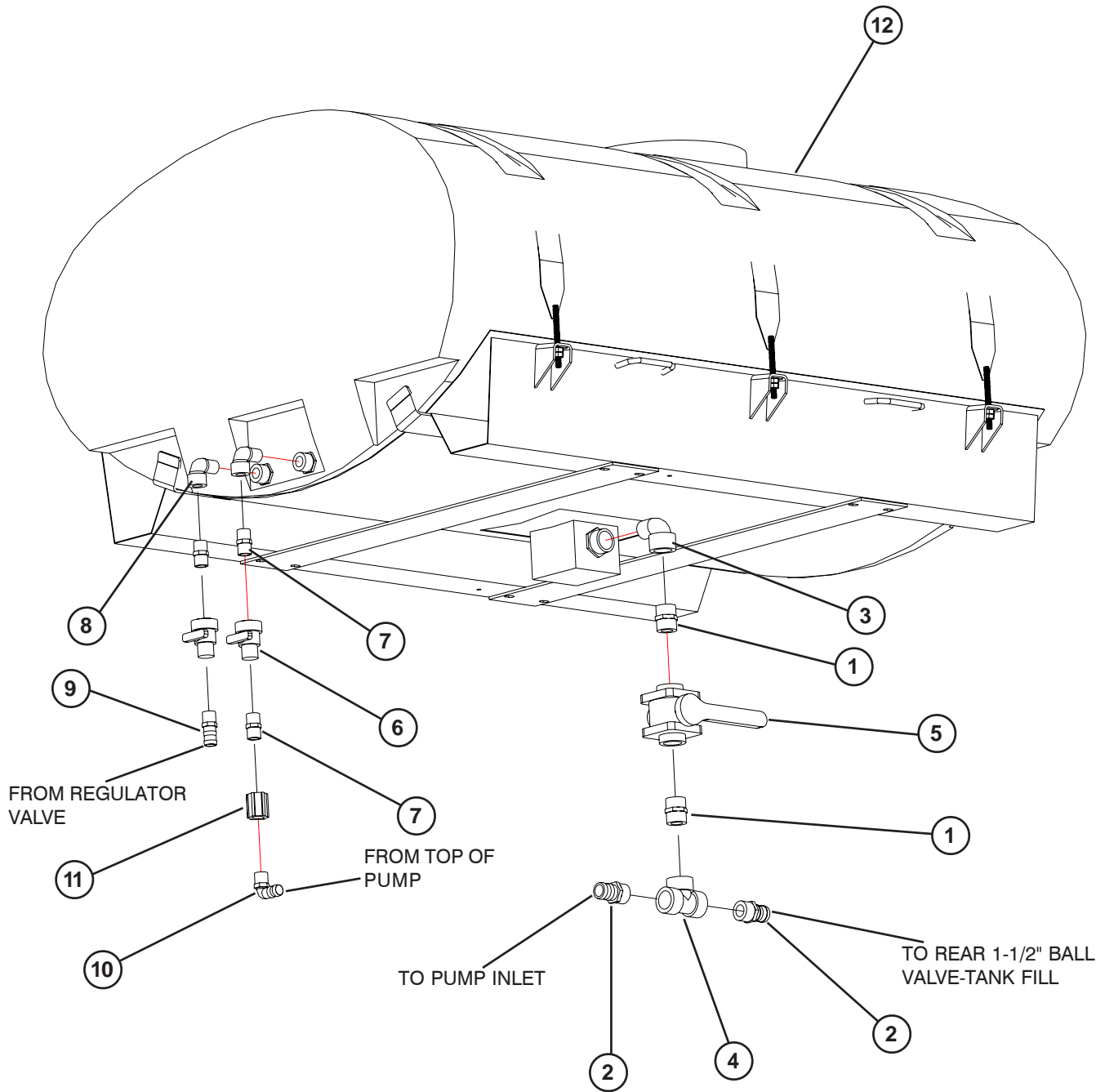


700471

ITEM	PART NO.	DESCRIPTION
1	44494	1" NUT x 3/4" MPT ADAPTER
2	44507	1" NUT x 1" MPT ADAPTER
3	45903	1-1/2" MPT NIPPLE
4	46243	1-1/2" MPT x 1-1/2" HB ELBOW
5	46358	LINE STRAINER 1-1/2" 50 MESH
6	47636	HYPRO PUMP #9303C-HM4
7	47872	4WAY CROSS 1-1/4"MPTx1"MSPT(3)
8	88103	NUT HEX 3/8"NC

ITEM	PART NO.	DESCRIPTION
9	88362	3/8" LOCK WASHER
10	88553	3/8"NCx1-1/2" GR5 HEX BOLT
11	B112992	1" BALL VALVE-SHUTOFF 12VDC
12	239824	PLATE-PUMP MOUNT
13	239837	1" MPT x 1" HB
14	239838	1" MPT x 1" HB ELBOW
15	239839	3/4" MPT x 1" HB
16	239841	1" CLOSED COUPLER
17	240726	PRESSURE REGULATOR VALVE

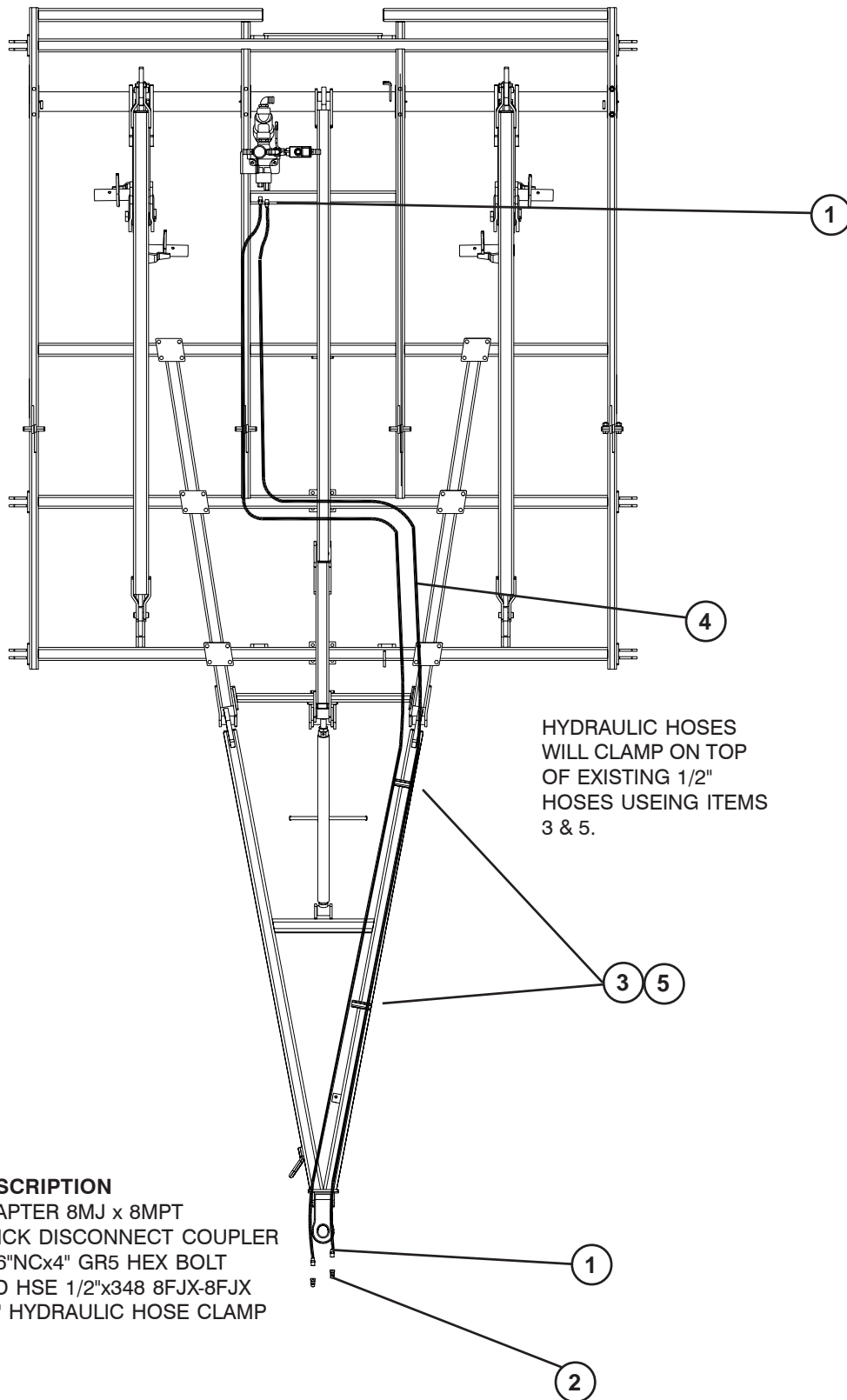
500 GALLON TANK PLUMBING



ITEM	PART NO.	DESCRIPTION
1	45903	1-1/2" MPT NIPPLE
2	46175	1-1/2" MPT x 1-1/2" HB ADAPTER
3	46254	1-1/2" FPT x 1-1/2" MPT ST ELBOW
4	46258	1-1/2" FPT TEE
5	46614	1-1/2" BALL VALVE
6	47906	1" BALL VALVE
7	B112130	1" CLOSED NIPPLE
8	220057	1" NPT STREET ELBOW
9	239837	1" MPT x 1" HB
10	239838	1" MPT x 1" HB ELBOW
11	239841	1" CLOSED COUPLER FPT
12	239850	500 GALLON TANK KIT

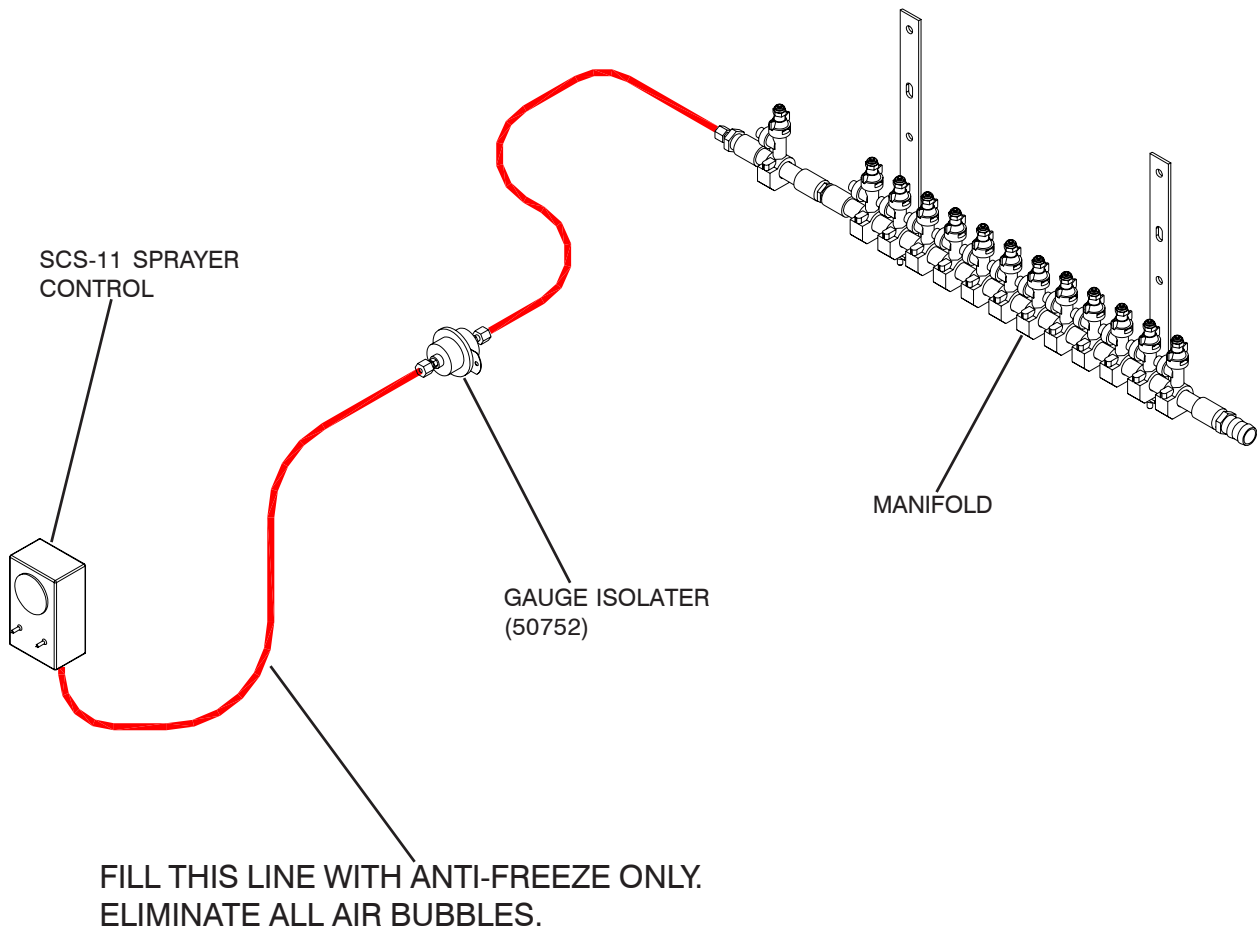
700089

HYDRAULICS-HYPRO PUMP



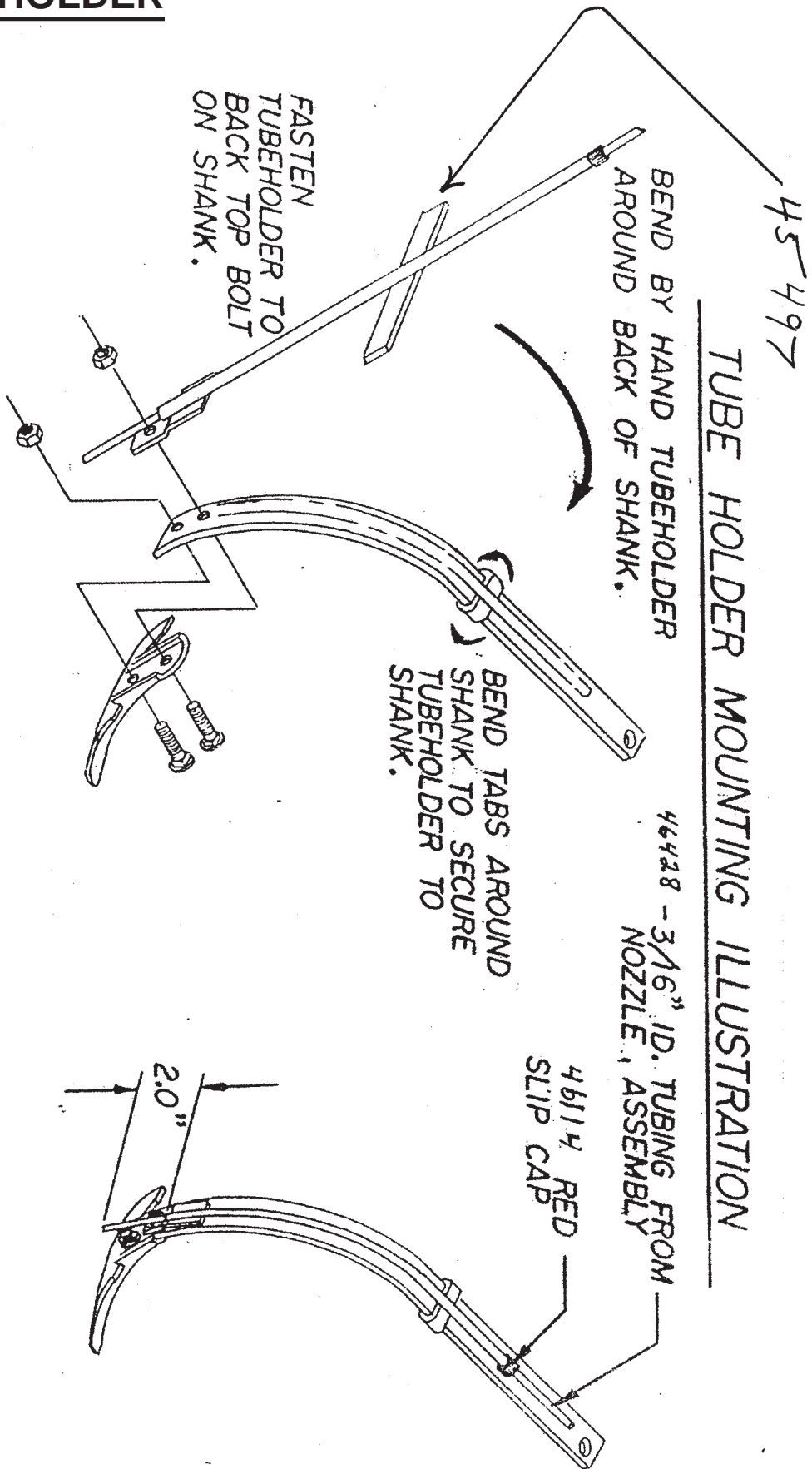
ITEM	PART NO.	DESCRIPTION
1	13234	ADAPTER 8MJ x 8MPT
2	60640	QUICK DISCONNECT COUPLER
3	88811	5/16"NCx4" GR5 HEX BOLT
4	209032	HYD HSE 1/2"x348 8FJX-8FJX
5	238400	1/2" HYDRAULIC HOSE CLAMP

700475



MOUNT THE SCS-11 SPRAYER CONTROL IN THE TRACTOR CAB. MOUNT THE GAUGE ISOLATER ON THE REAR OF THE TRACTOR (3PT AREA). WHEN DETACHING IMPLEMENT GAUGE ISOLATER WILL STAY WITH TRACTOR.

TUBE HOLDER



RATE CHART

CHART FOR 28% LIQUID NITROGEN.
APPLICATOR: XL² ON 7" SPACING

Orifice plate number	PSI	LPM/ NOZZLE	LITERS PER HECTARE @ KM/H				
			4.83	6.44	8.05	9.66	12.88
4916-35	5	0.1971	130	96.93	78.02	63.83	49.65
4916-35	10	0.2767	184.4	137.1	111.1	92.2	68.56
4916-35	20	0.3942	260.1	193.9	156	130	96.93
4916-35	30	0.4813	316.8	238.8	191.5	158.4	118.2
4916-49	5	0.3942	243.5	182	146.6	122.9	92.2
4916-49	10	0.5571	345.2	257.7	208	172.6	130
4916-49	20	0.7883	496.5	366.4	293.1	243.5	182
4916-49	30	0.9665	591	449.2	359.3	297.9	224.6
4916-70	5	0.8186	496.5	380.6	302.6	253	189.1
4916-70	10	1.1597	709.2	543.7	430.3	357	269.5
4916-70	20	1.6373	1017	756.5	614.7	496.5	380.6
4916-70	30	2.0087	1229	922	732.9	614.7	465.7
4916-98	5	1.6752	1040	780.2	614.7	520.1	387.7
4916-98	10	2.3688	1466	1087	874.7	732.9	543.7
4916-98	20	3.3466	2057	1560	1229	1040	780.2
4916-98	30	4.0932	2530	1891	1513	1277	945.6

NOTE: ALWAYS INSERT ORIFICE PLATE

WITH SIDE MARKED WITH NUMBER FACING

THE OUTLET OF THE NOZZLE BODY