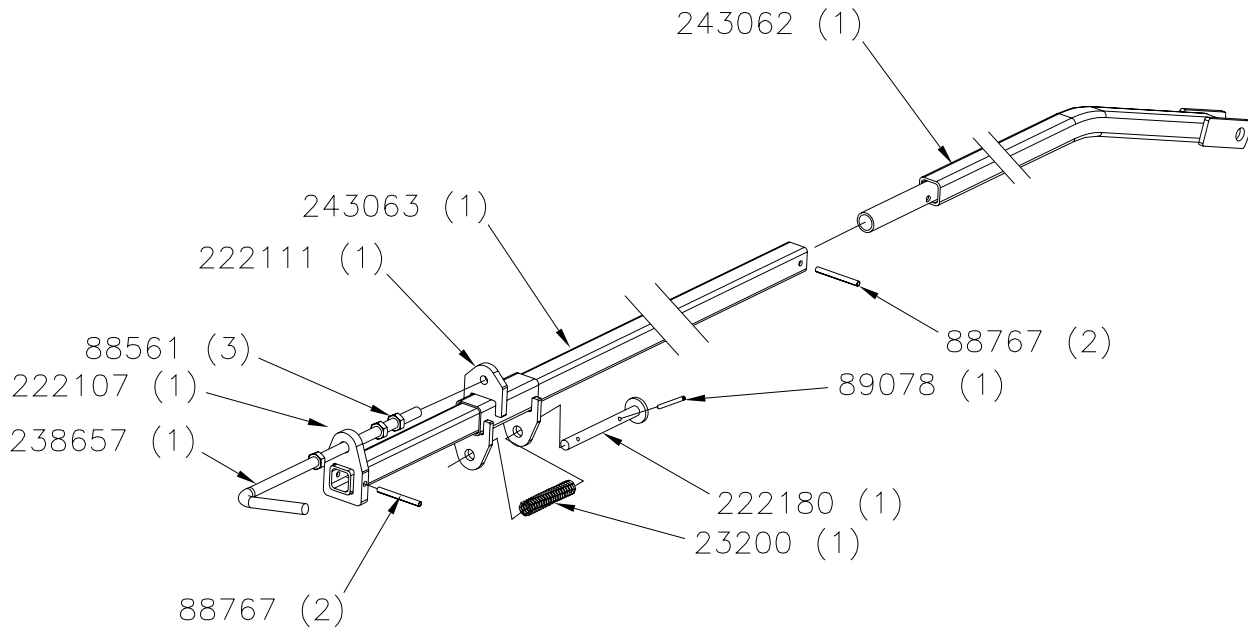


5810, 5830 & 5850 CHISEL PLOW

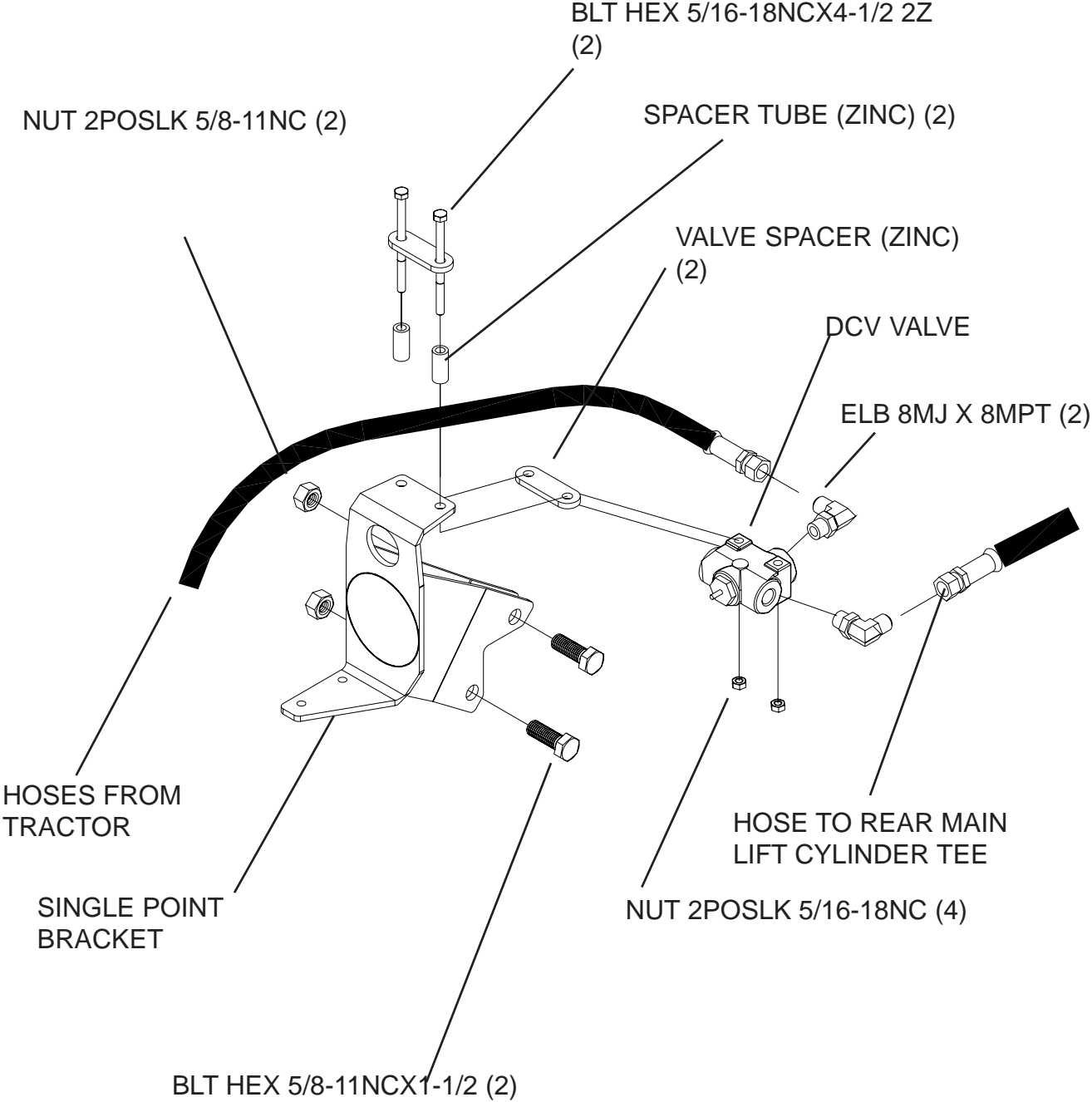
SINGLE POINT DEPTH CONTROL
ASSEMBLY INSTRUCTIONS
2009 & UP

SINGLE POINT TUBE ASSY



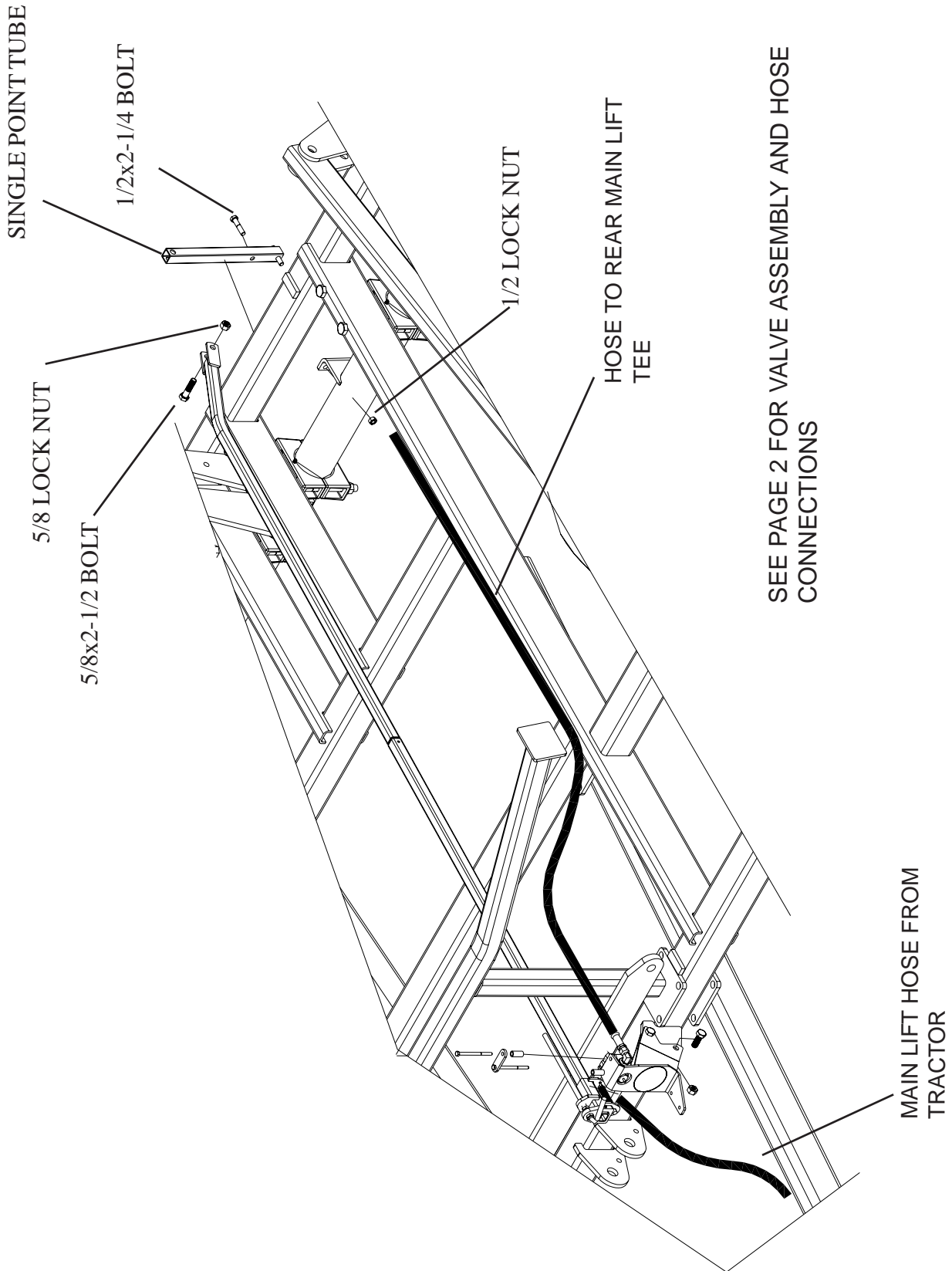
PART NO.	DESCRIPTION	QTY
222107	ADJUST EAR	1
222111	SLIDE ADJUST	1
222180	SPRING PIN (ZINC)	1
23200	SPRING	1
238657	ADJUST CRANK - LONG	1
243062	CP SINGLE POINT TUBE	1
243063	SINGLE POINT TUBE	1
88561	NUT JAM 1/2-13NC 5Z	3
88767	PIN ROLL 1/4DIA X 2-1/2 Z	2
89078	PIN ROLL 3/16 X 1-3/4 Z	1

5810/5830 VALVE ASSEMBLY



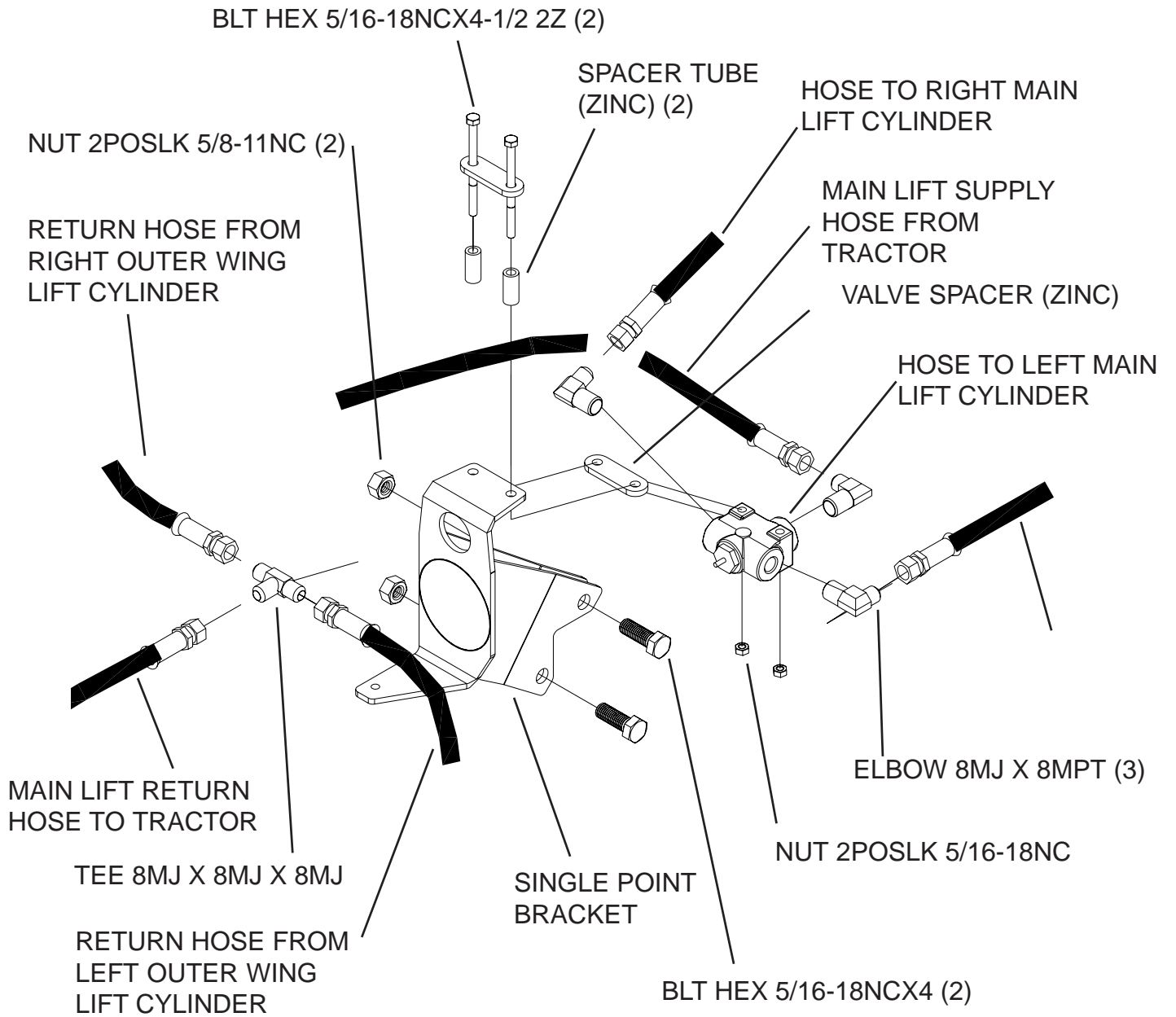
ALL HOSES ARE PROVIDED IN THE BASE UNIT HYDRUALIC BOX OF PARTS

5810/5830 CHISEL PLOW SINGLE POINT ASSY INST

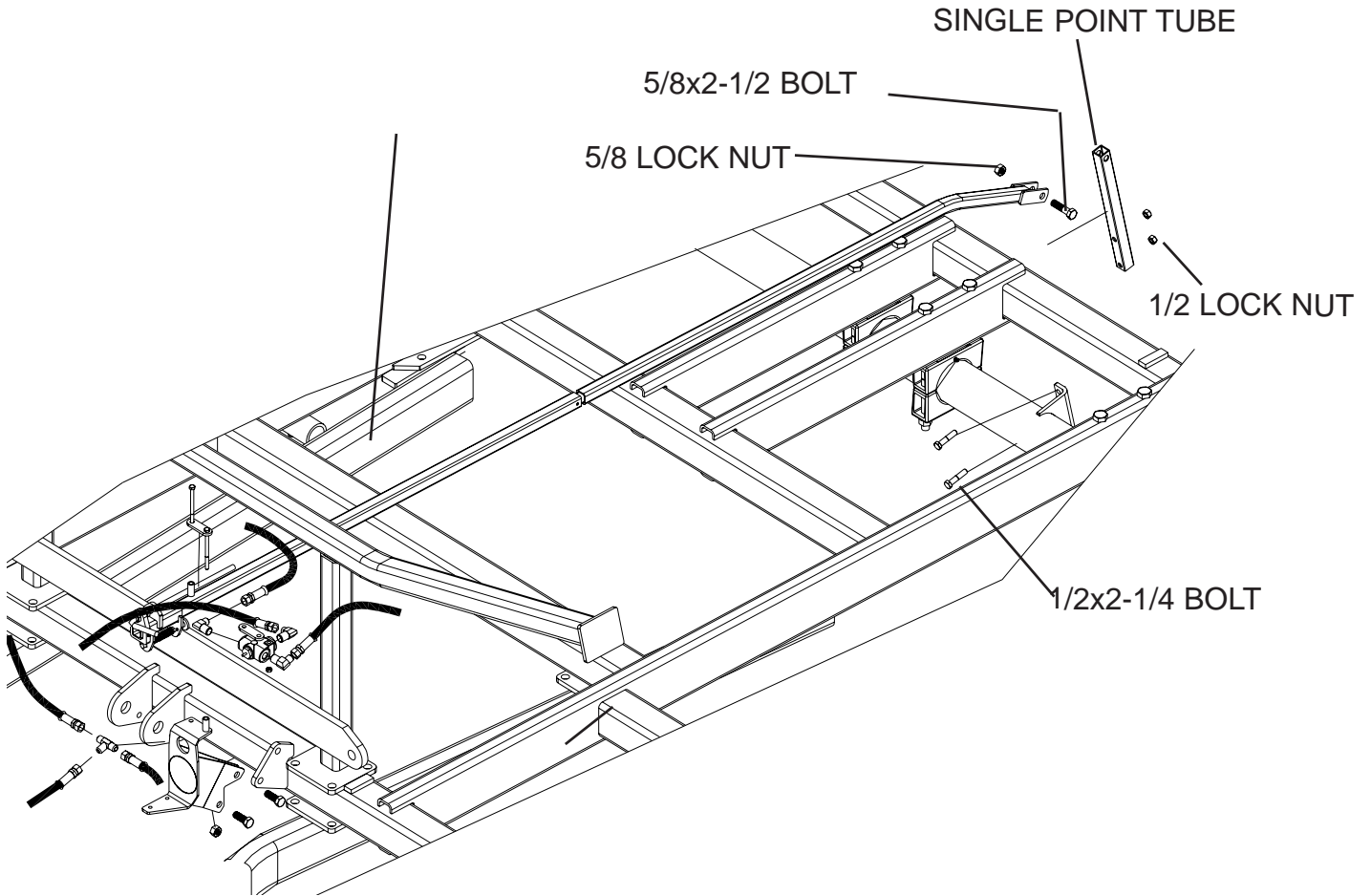


SEE PAGE 2 FOR VALVE ASSEMBLY AND HOSE CONNECTIONS

5850 VALVE ASSEMBLY



5850 CHISEL PLOW SINGLE POINT ASSY INST



ALL HOSES ARE PROVIDED IN THE BASE UNIT HYDRUALIC BOX OF PARTS

SEE PAGE 4 FOR VALVE ASSEMBLY
AND HOSE CONNECTIONS

