

ASSEMBLY INSTRUCTIONS

3PT SEEDBED FINISHER

Printed in USA (74143) J-M 500 4/95

WIL-RICH
PO Box 1030
Wahpeton, ND 58074
PH (701) 642-2621
Fax (701) 642-3372
Parts Fax (701) 642-3819

PERSONAL SAFETY IS IMPORTANT!

ALL PERSONNEL INVOLVED WITH THE ASSEMBLY AND/OR OPERATION OF THIS EQUIPMENT MUST BE INFORMED OF PROPER SAFETY PROCEDURES. OPERATOR'S AND ASSEMBLY MANUALS PROVIDE THE NECESSARY INFORMATION. IF THE MANUAL IS LOST FOR A PARTICULAR IMPLEMENT, ORDER A REPLACEMENT AT ONCE. OPERATOR'S AND ASSEMBLY MANUALS ARE AVAILABLE AT NO CHARGE UPON REQUEST.

ADDRESS INQUIRIES TO:

WIL-RICH

PO BOX 1030

WAHPETON, ND 58074

PH (701)642-2621 FAX (701)642-3372

ASSEMBLY INFORMATION

Remove all wires and arrange the parts conveniently.

NOTE: Always wear safety glasses or goggles and be careful when cutting wires and steel bands as they are under tension and will spring back when cut.

Wherever the terms "left" and "right" are used, it must be understood to mean from a position behind and facing the machine.

Lubricate all bearings and moving parts as you proceed and make sure they work freely.

Loosely install all bolts connecting mating parts before final tightening.

When tightening bolts, they must be torqued to the proper number of foot-pounds as indicated in the table unless specified. It is important that all bolts be kept tight.

On new machines, all nuts and bolts must be rechecked after a few hours of operation.

When replacing a bolt, use only a bolt of the same grade or higher. Except in shear bolt applications, where you must use the same grade bolt.

Bolts with no markings are grade 2

Grade 5 bolts furnished with the machine are identified by three radial lines on the head.

Grade 8 bolts furnished with the machine are identified by six radial lines on the head.

All U-bolts are grade 5.

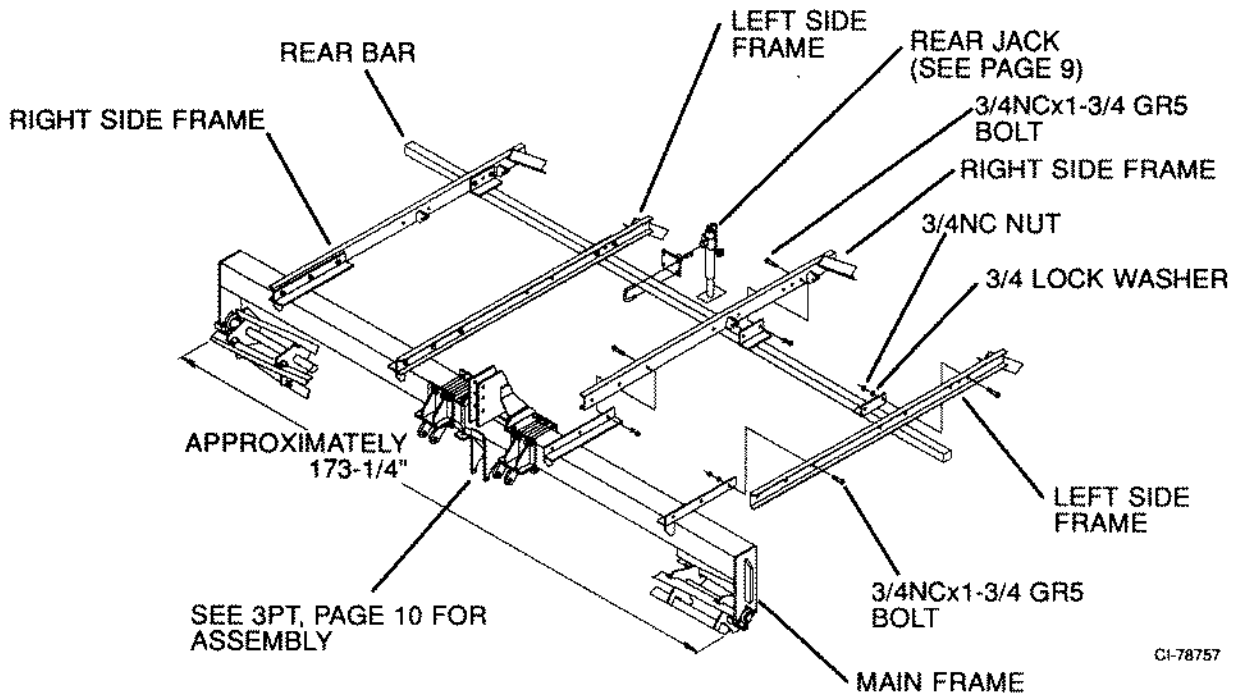


THIS SYMBOL USED TO CALL YOUR ATTENTION TO INSTRUCTIONS CONCERNING YOUR PERSONAL SAFETY. BE SURE TO OBSERVE AND FOLLOW THESE INSTRUCTIONS

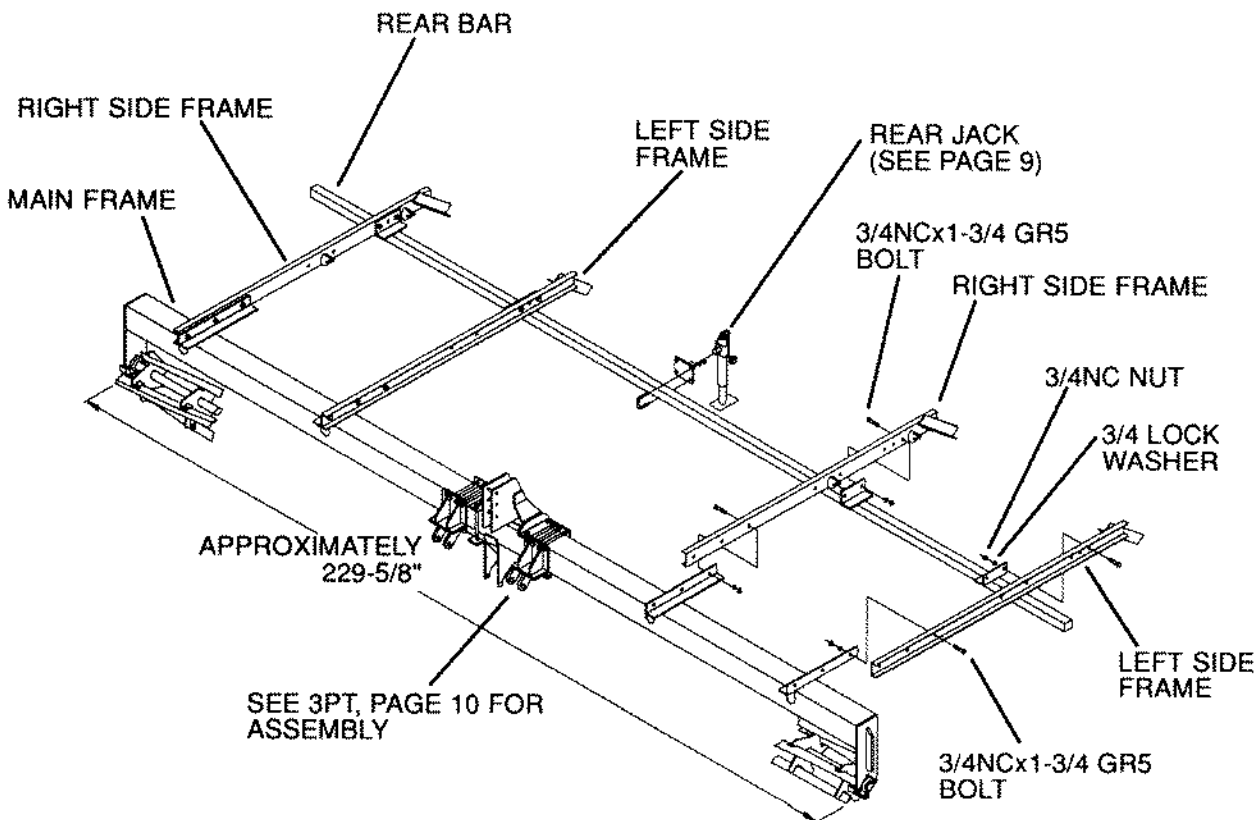
	GRADE 2		GRADE 5		GRADE 8	
TORQUE IN FOOT POUNDS						
BOLT DIA	3/8	1/2	5/8	3/4	7/8	1
HEX HEAD	9/16	3/4	15/16	1-1/8	1-5/16	1-1/2
UNCGR2	18	45	89	160	252	320
UNCGR5	30	68	140	240	360	544
UNCGR8	40	100	195	340	528	792
UNFGR2	21	51	102	178	272	368
UNFGR5	32	70	168	264	392	572
UNFGR8	48	112	216	368	792	840

TORQUE.EPS

6 ROW 30 (14'4") RIGID SBF

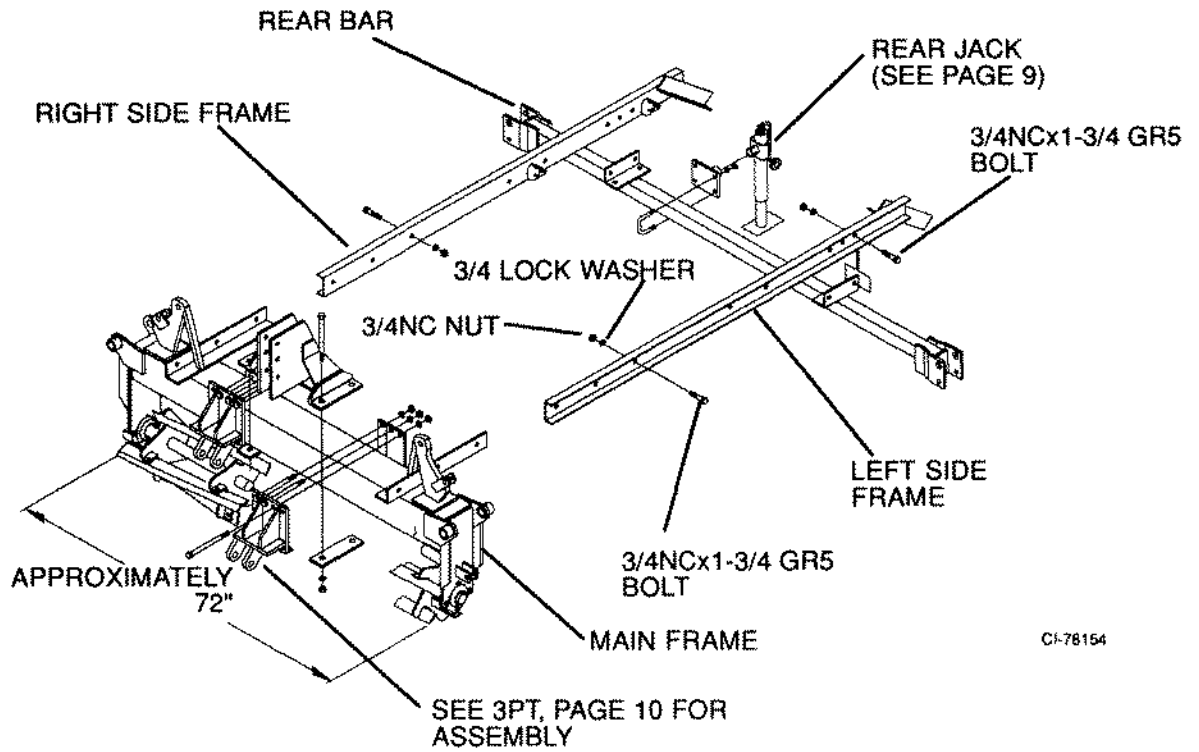


6 ROW 40 (19'3") RIGID SBF



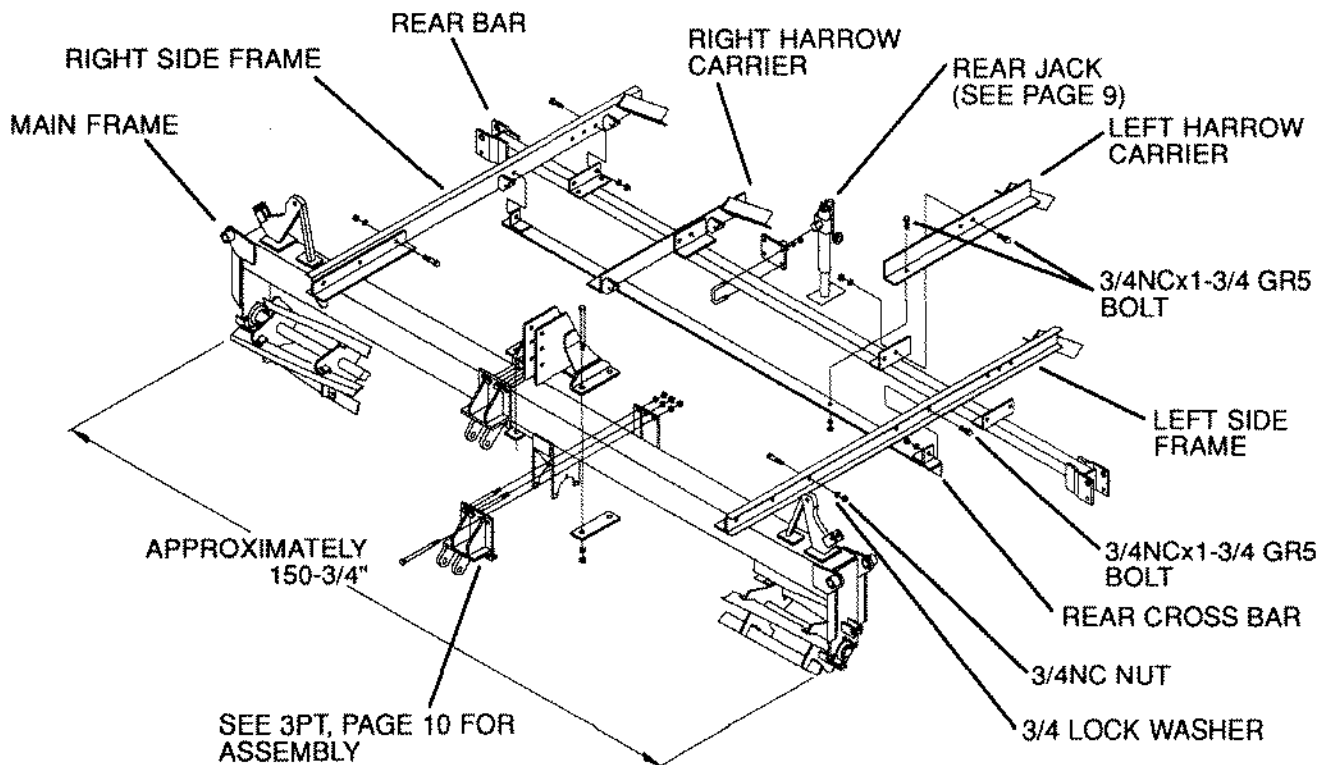
6 ROW 40 (19'3") SBF

2 ROW 40 MAIN FRAME



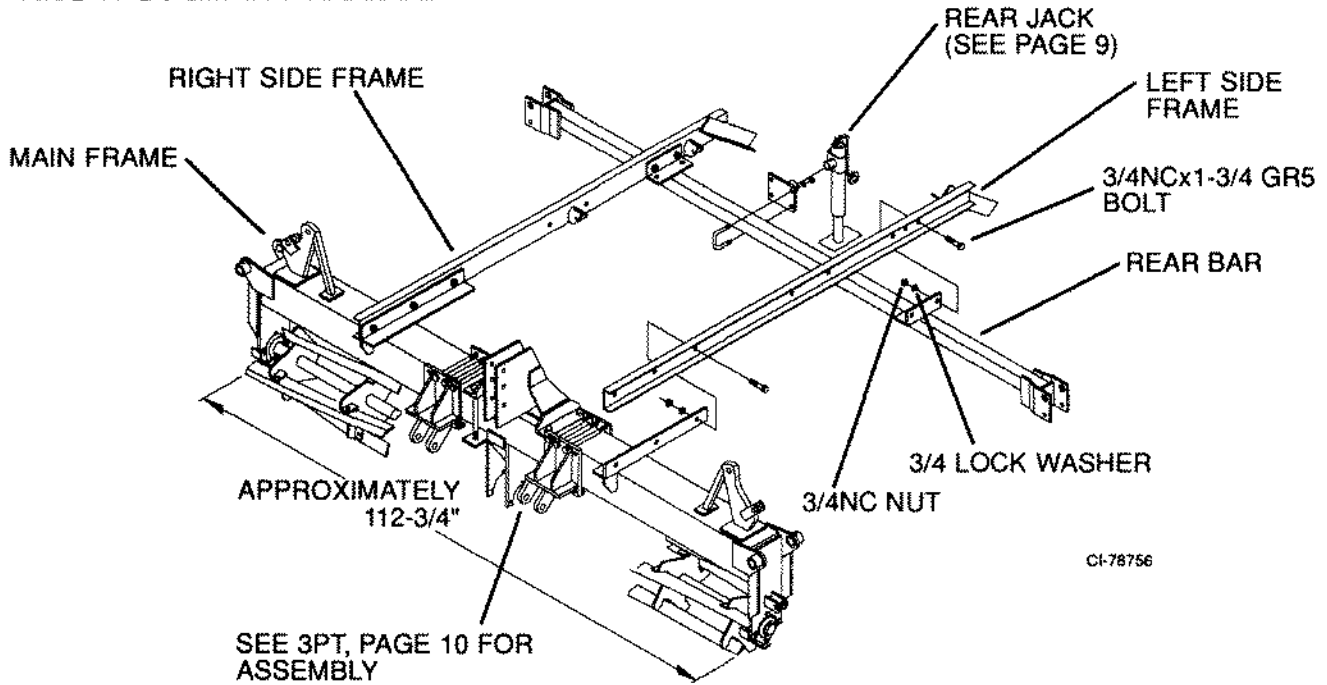
8 ROW 40 (25'10") SBF

4 ROW 40 MAIN FRAME



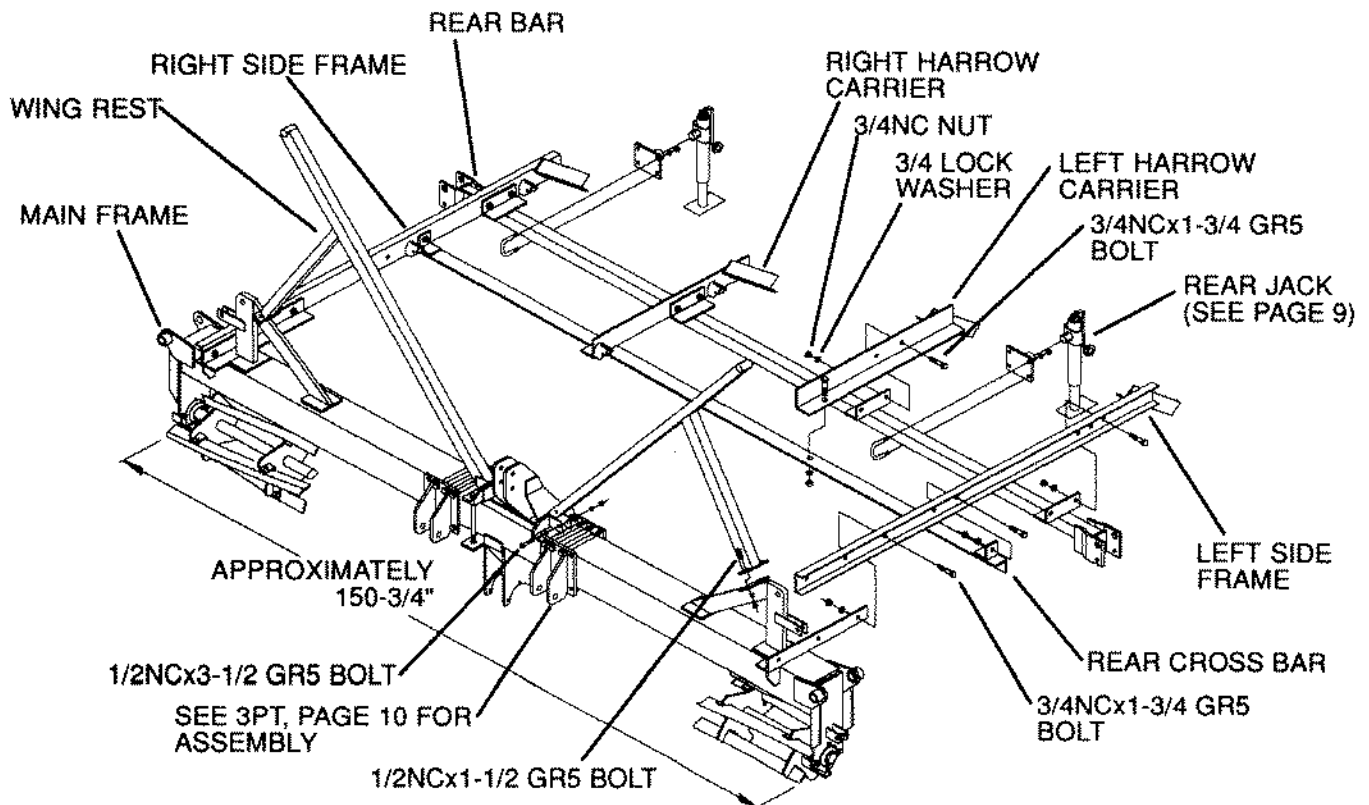
8 ROW 30 (19'4") & 10 ROW 30 (24'4") SBF

4 ROW 30 MAIN FRAME



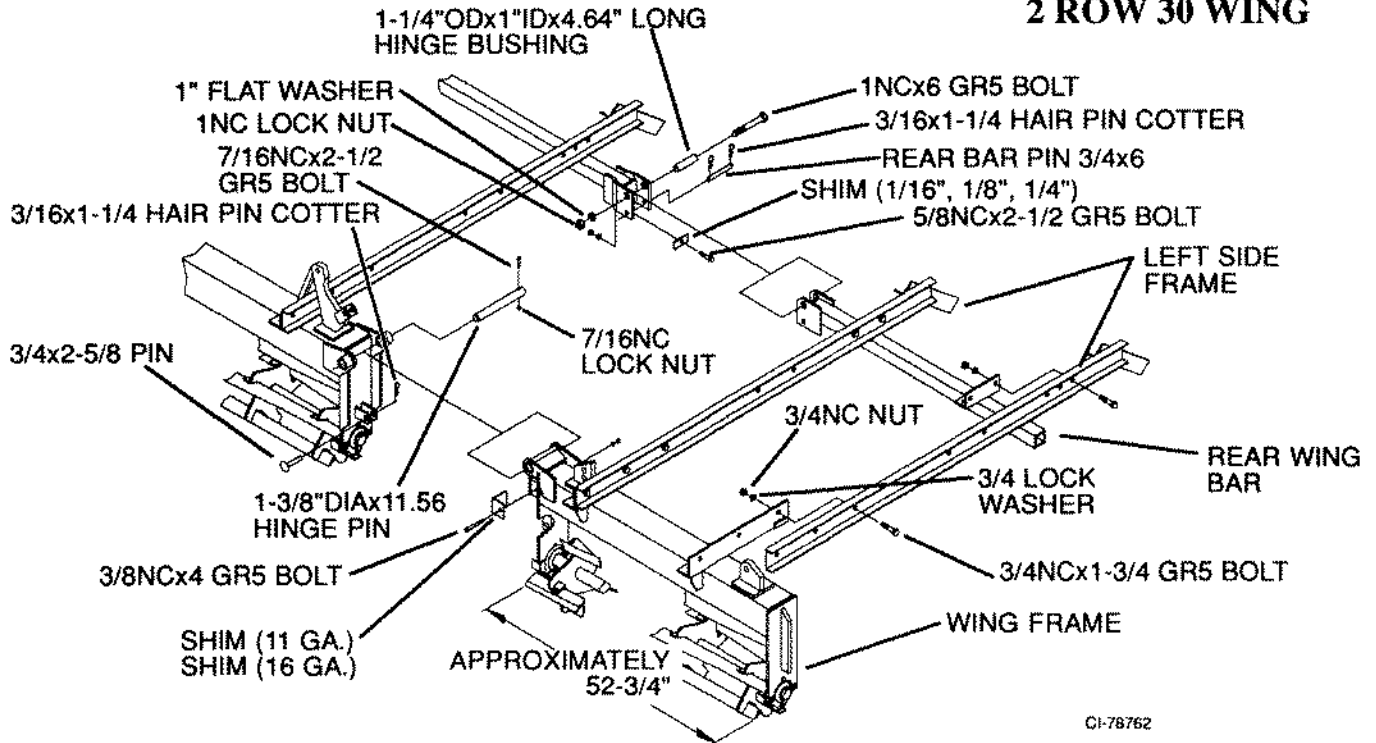
10 ROW 40 (32'5") SBF

4 ROW 40 MAIN FRAME



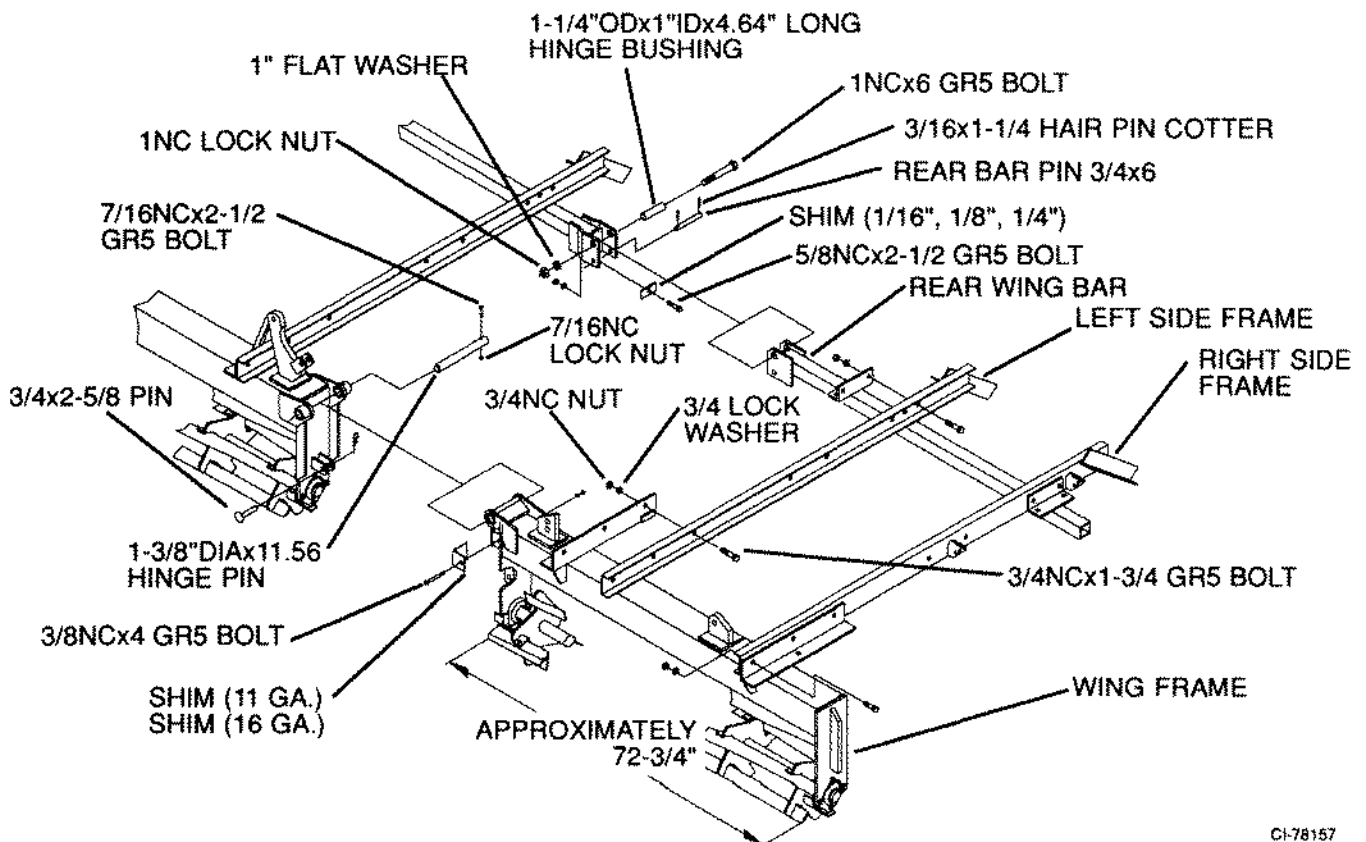
8 ROW 30 (19'4") SBF

2 ROW 30 WING



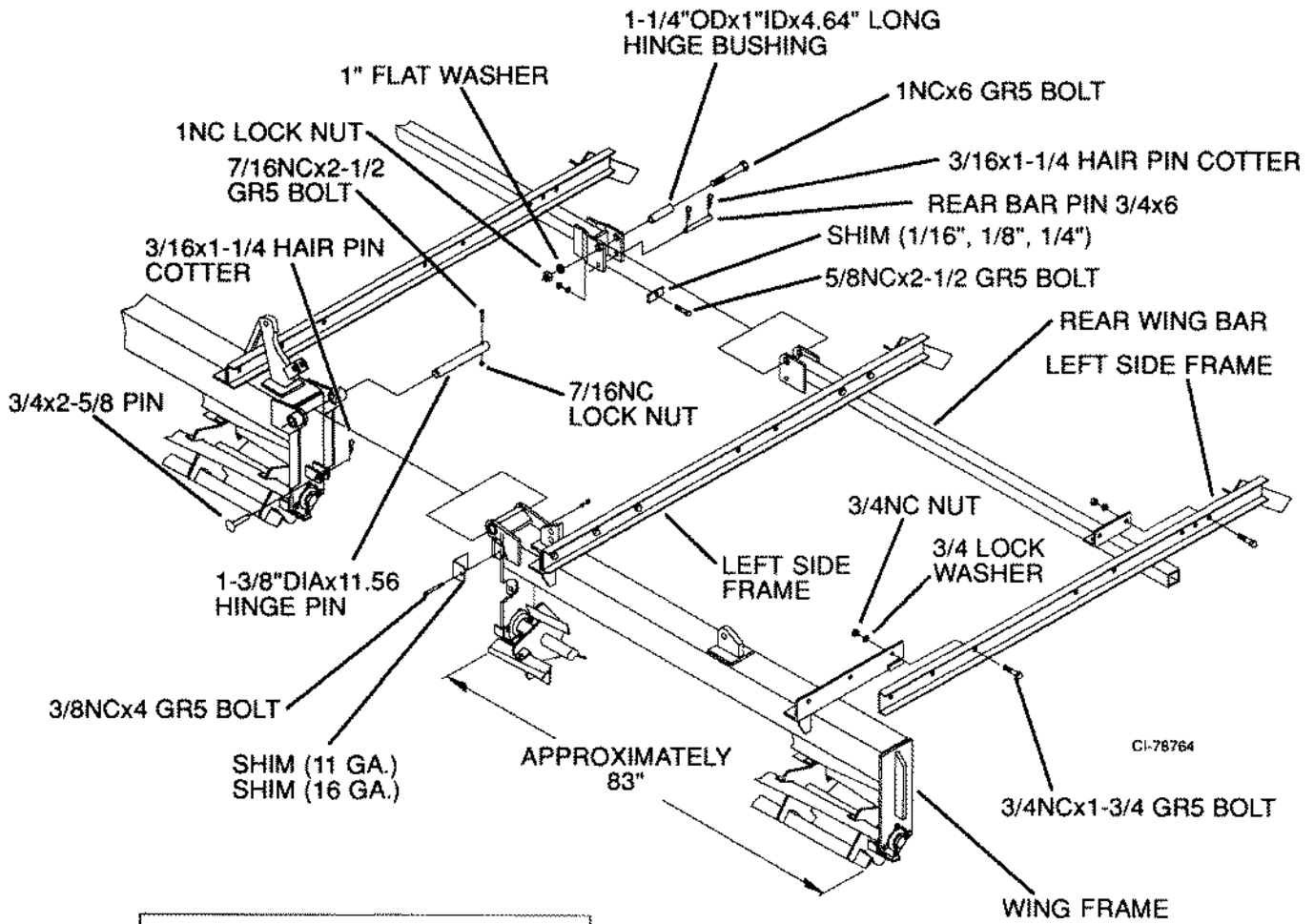
6 ROW 40 (19'3") & 8 ROW 40 (25'10") SBF

2 ROW 40 WING



10 ROW 30 (24'4") SBF

3 ROW 30 WING



⚠ DANGER

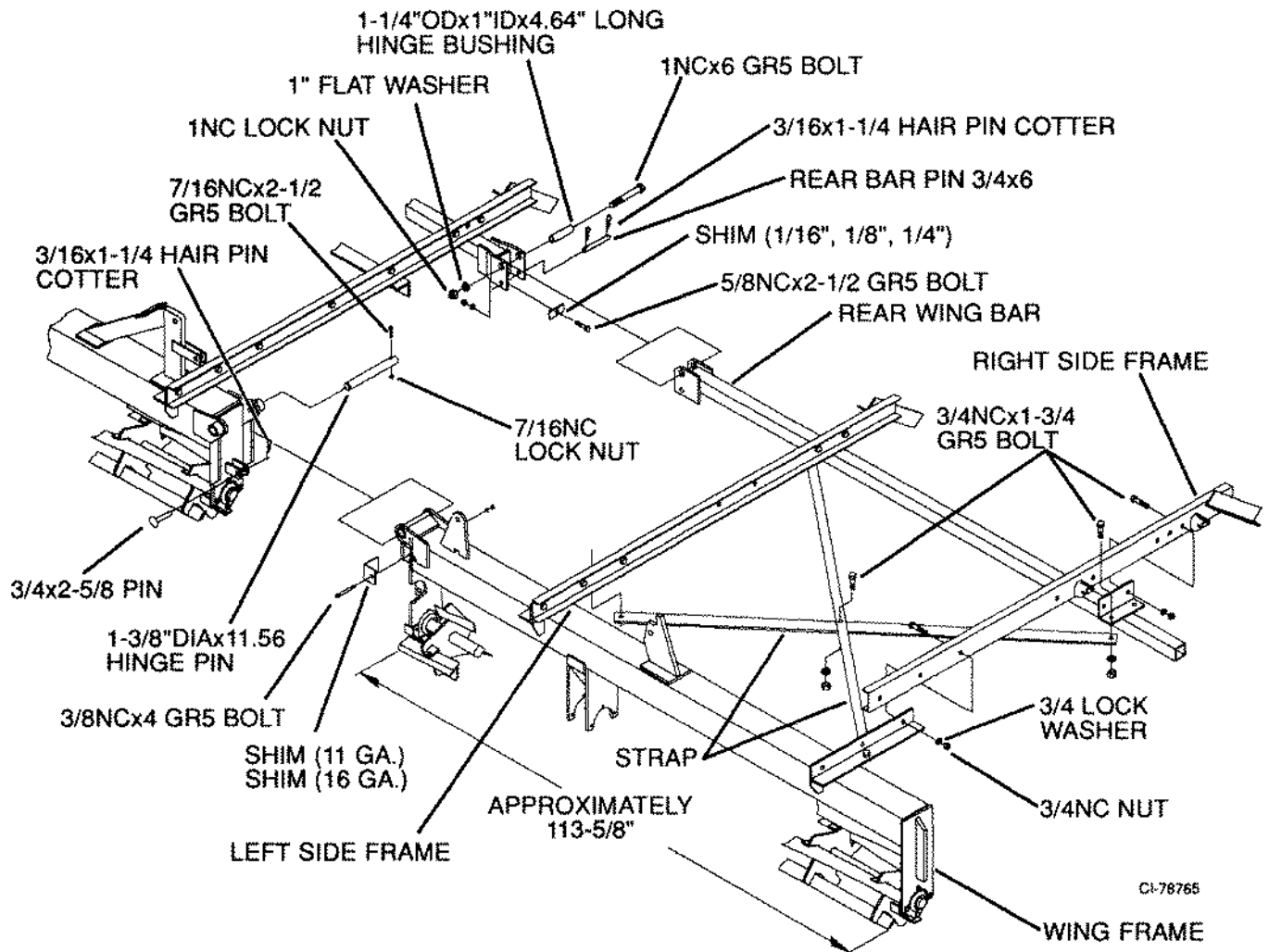
STAND CLEAR AT ALL TIMES:

- Never walk or stand in the path of the wings.
- Completely lower wings before performing service or adjustments.
- Failure to do so will result in serious injury or death.

22128

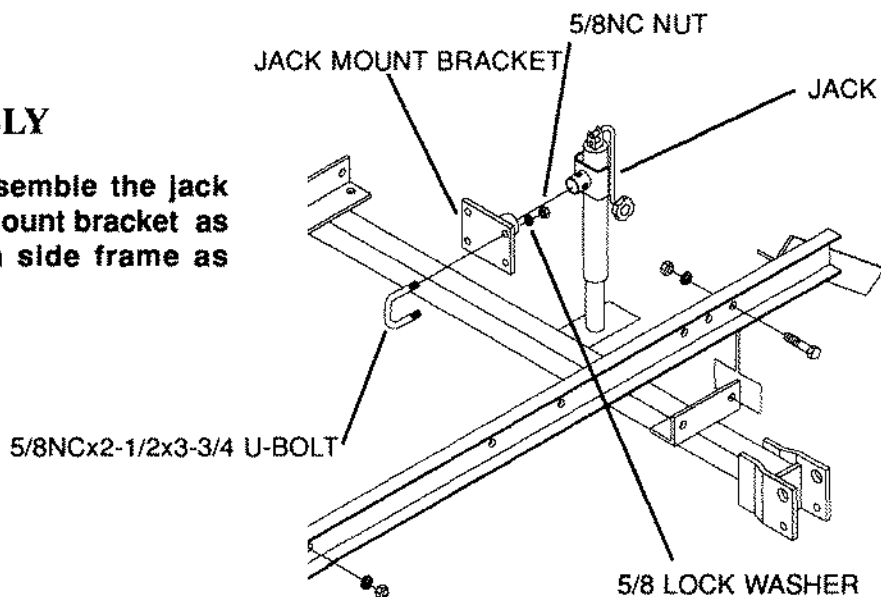
10 ROW 40 (32'5") SBF

3 ROW 40 WING



REAR JACK ASSEMBLY

NOTE: Assemble the jack and jack mount bracket as close to a side frame as possible.



CI-78511

3PT MOUNT

NOTE: Mast assembly must be centered on the main frame.

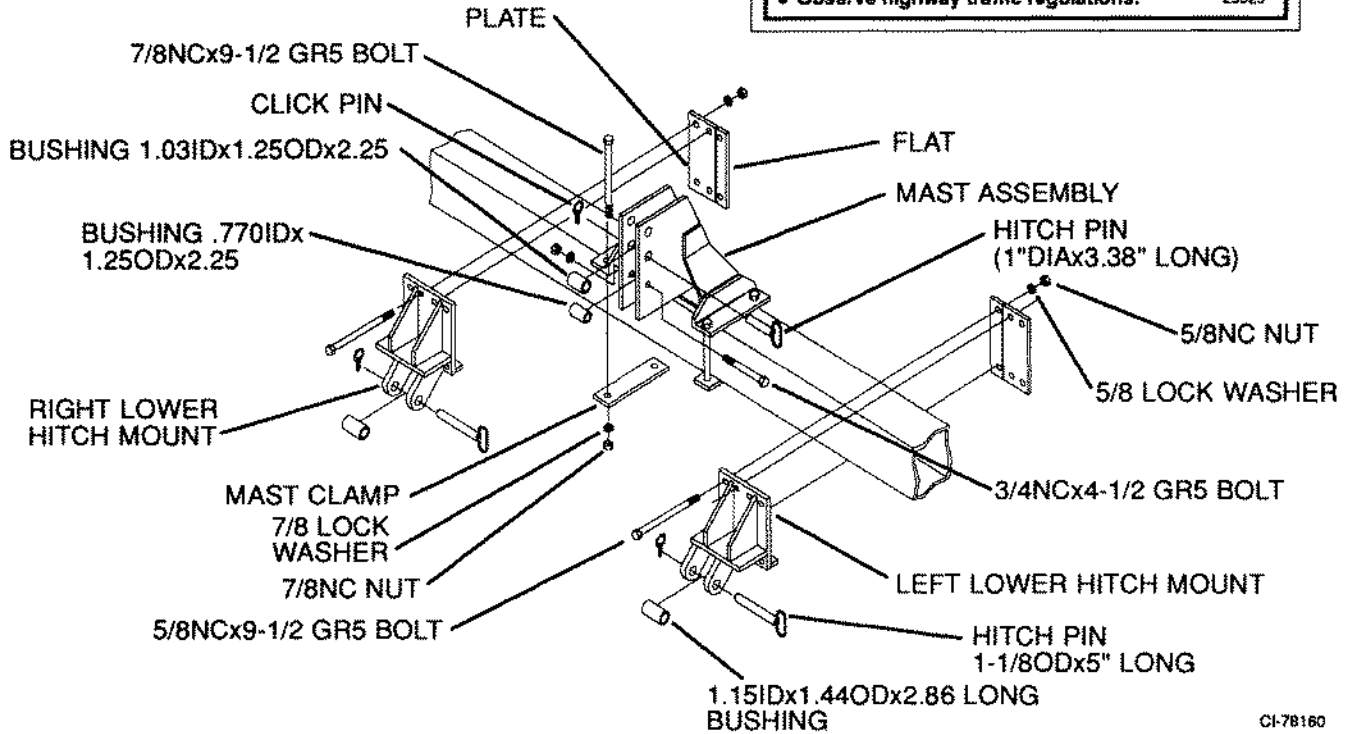
CATAGORY II HITCH

⚠ CAUTION

TO AVOID INJURY AND/OR MACHINE DAMAGE:

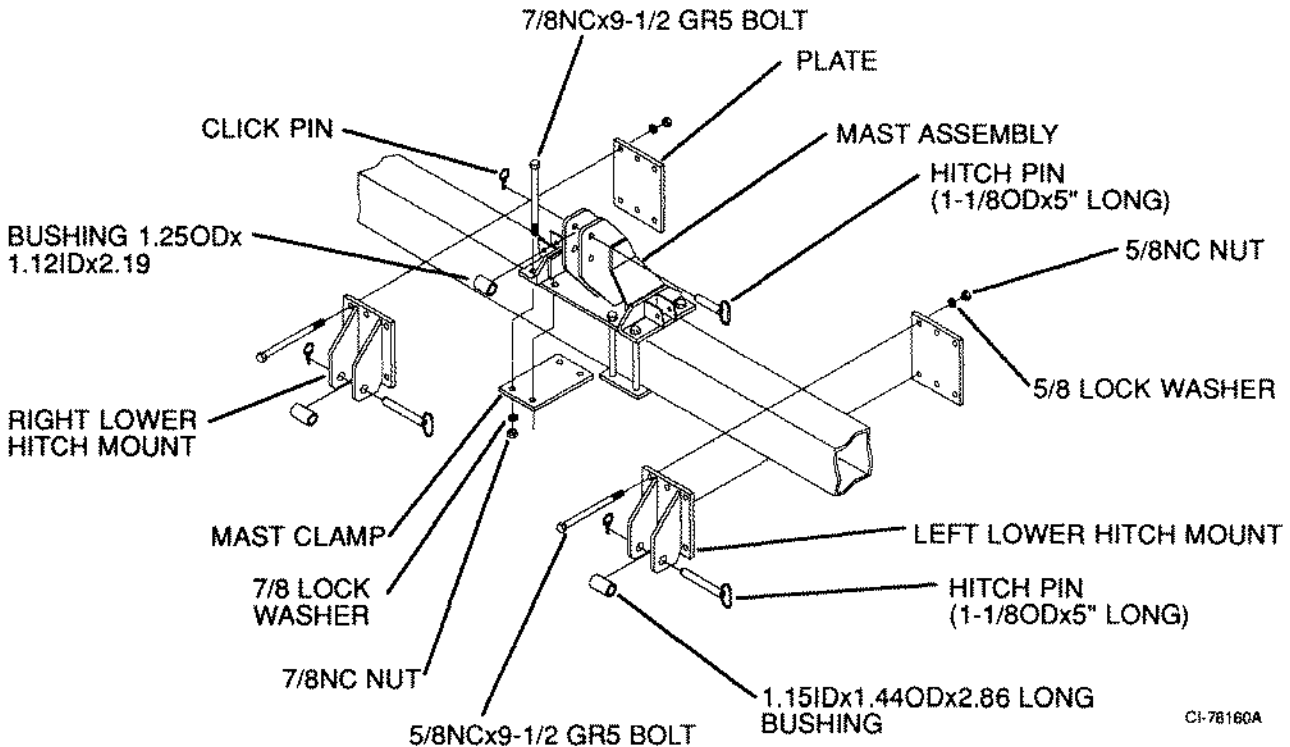
- Refer to Operator's Manual for safety instructions.
- Do not stand or climb on machine when operating.
- Use clean hazard flashers and SMV sign when transporting.
- Observe highway traffic regulations.

23325



CI-78160

CATAGORY III HITCH



CI-78160A

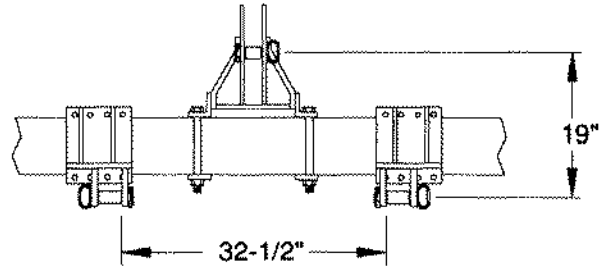
New

MAST ASSEMBLY

NOTE: For safety and ease of setup, it may be recommended that the tool bar be attached to a tractor after the hitch points have been secured. Do not depend on your tractors hydraulic system as the sole support of the bar.

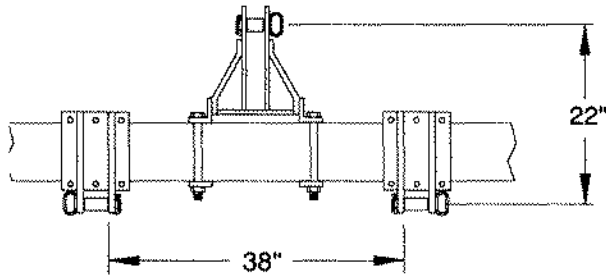
Attach the masts to the tool bar center approximately as shown. Attach the lower hitch points to the tool bar as shown for your particular 3PT hitch.

3PT HITCH CAT. II



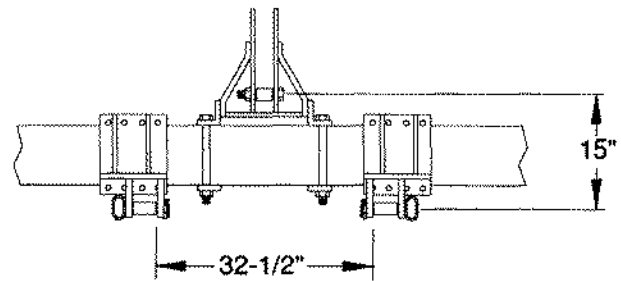
CI-78162B

3PT HITCH CAT. III

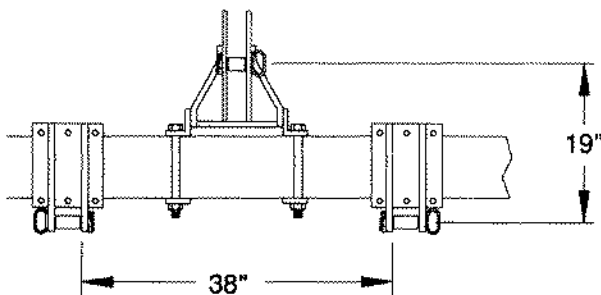


CI-78162

3PT QUICK HITCH CAT. II



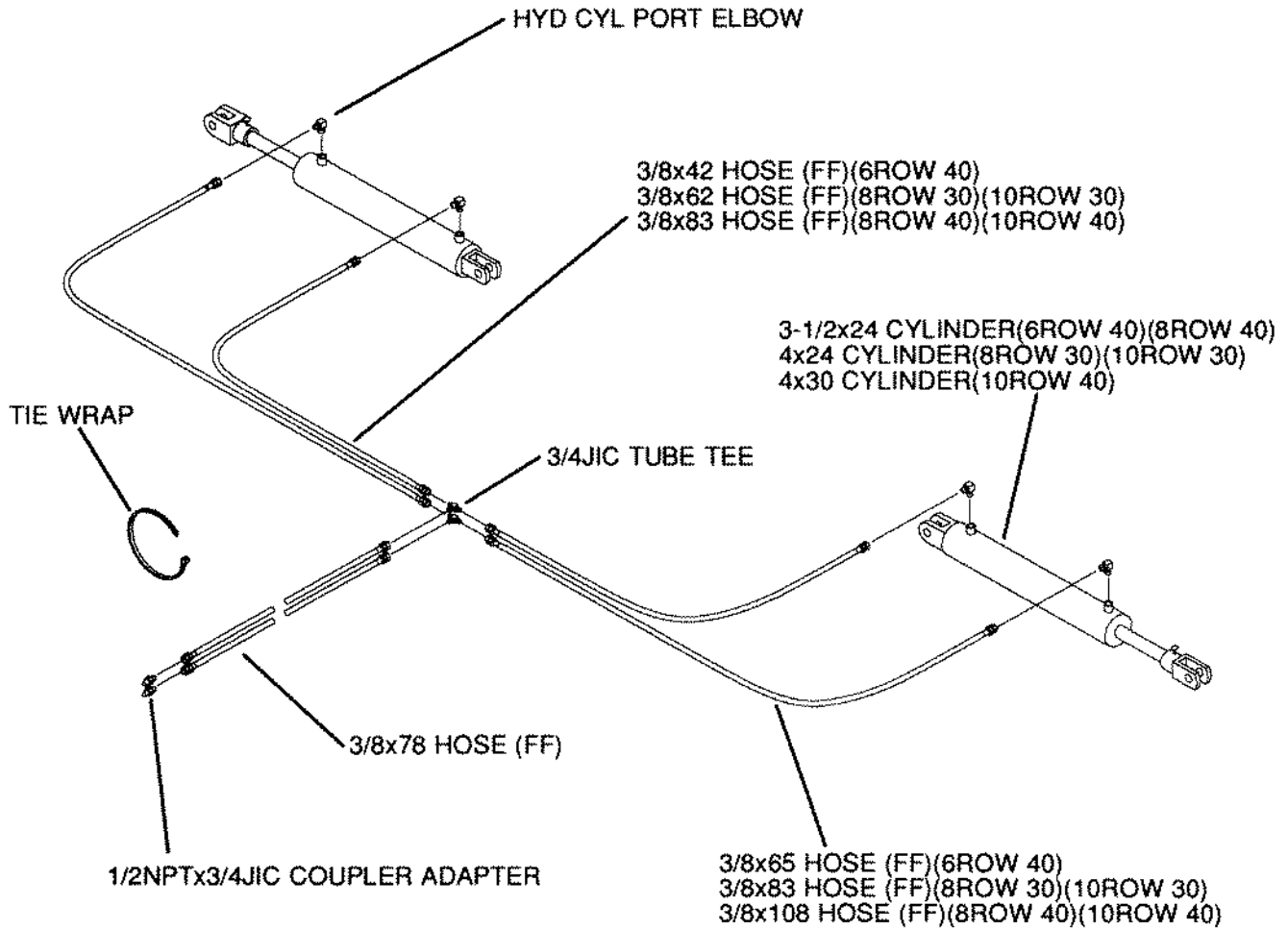
3PT QUICK HITCH CAT. III





CI-78162A

19'3" & 25'10" HYDRAULICS

NOTE: Hoses will lay on top of the main frame tube and be held down by tie wraps.



! WARNING

HIGH PRESSURE FLUID HAZARD

To prevent serious injury or death:

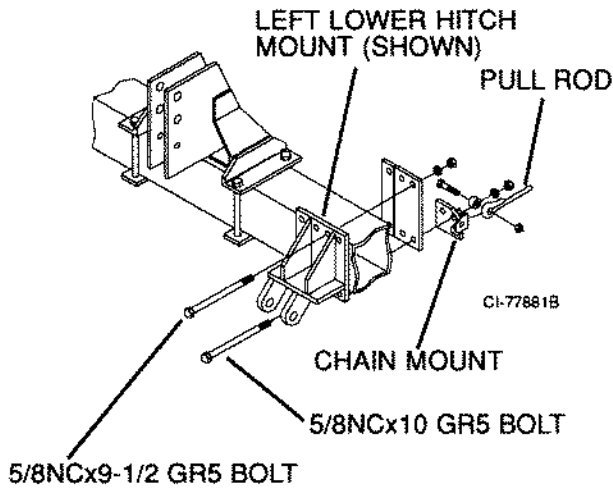
- Relieve pressure on system before repairing or adjusting or disconnecting.
- Wear proper hand and eye protection when searching for leaks. Use wood or cardboard instead of hands.
- Keep all components in good repair.

SW700

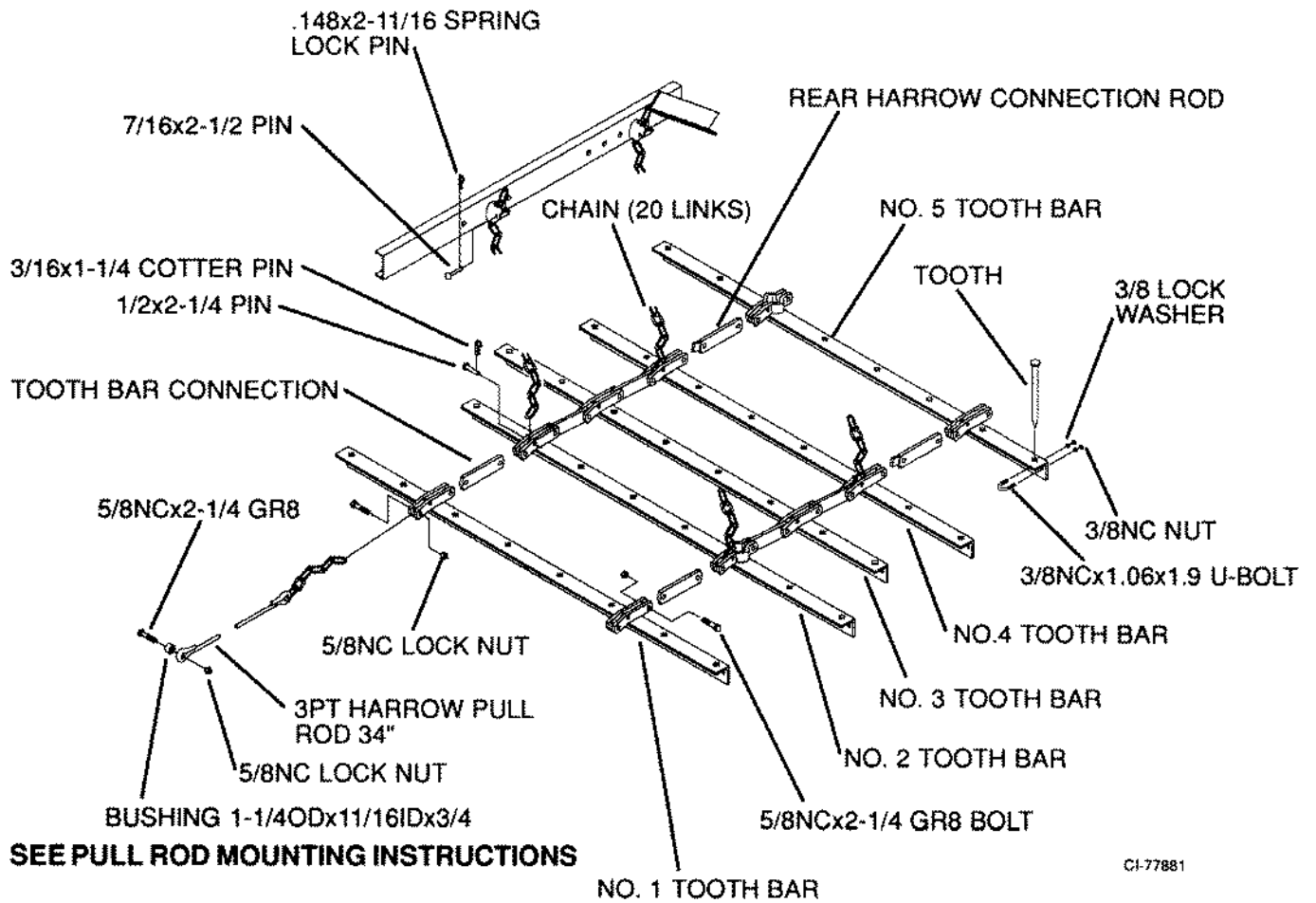
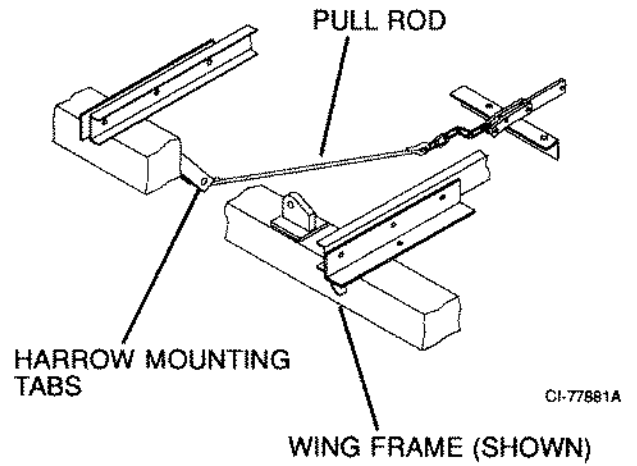
SPIKE TOOTH HARROW

PULL ROD MOUNTING DETAILS

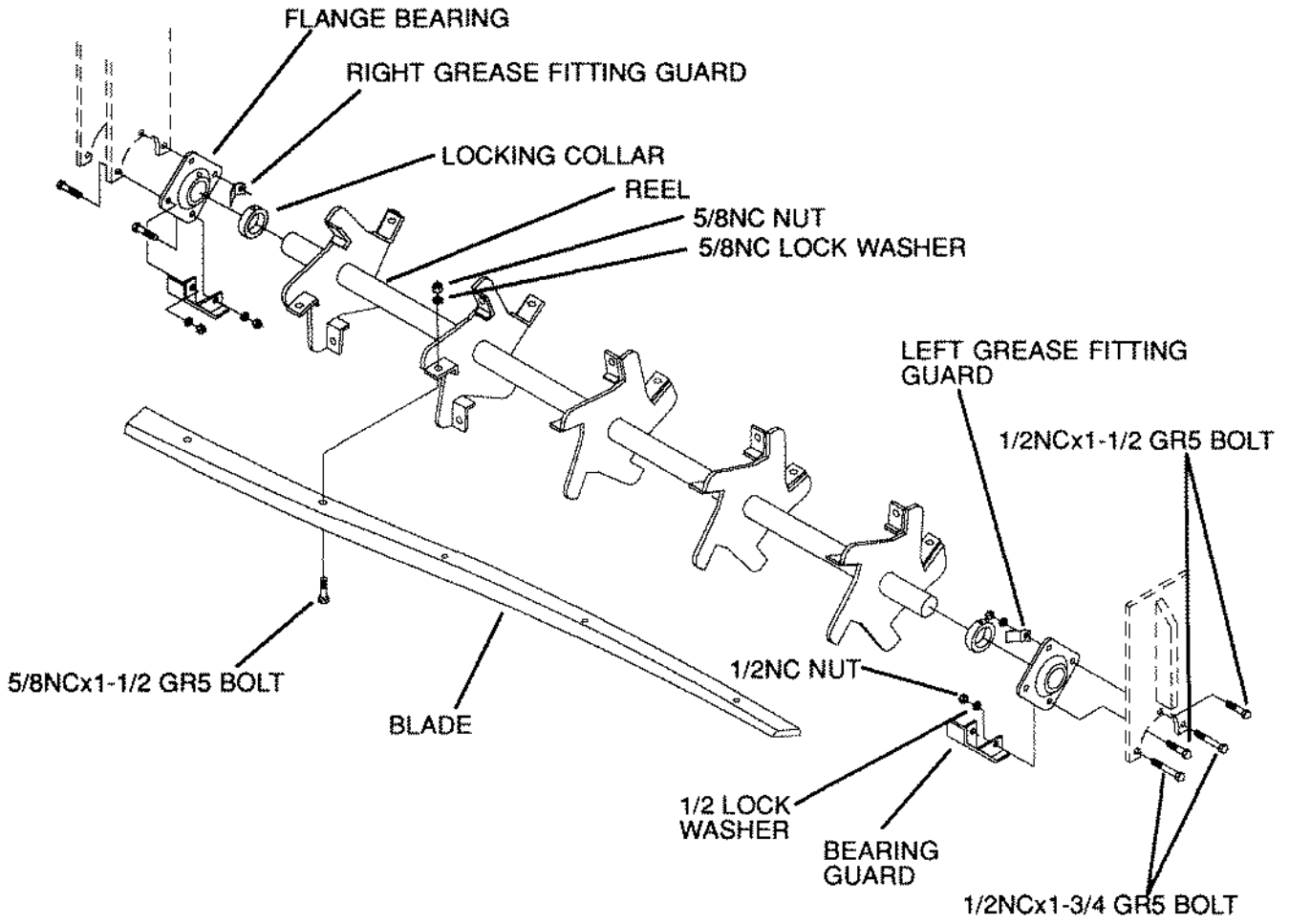
NOTE: Chain mount used on rigid models only.



NOTE: The harrow pull rod fasten to the harrow mounting tabs on the back side of the main frame and wing frames.



REEL



CI-77874

RIGID GAUGE WHEEL

NOTE: When the gauge wheel is mounted to the main frame it must be mounted outside the tractor tires centered between the rows.

When the gauge wheel is mounted to the wing frame, the tire must be centered between the rows on a 2 row wing and centered between the outside 2 rows on a 3 row wing.

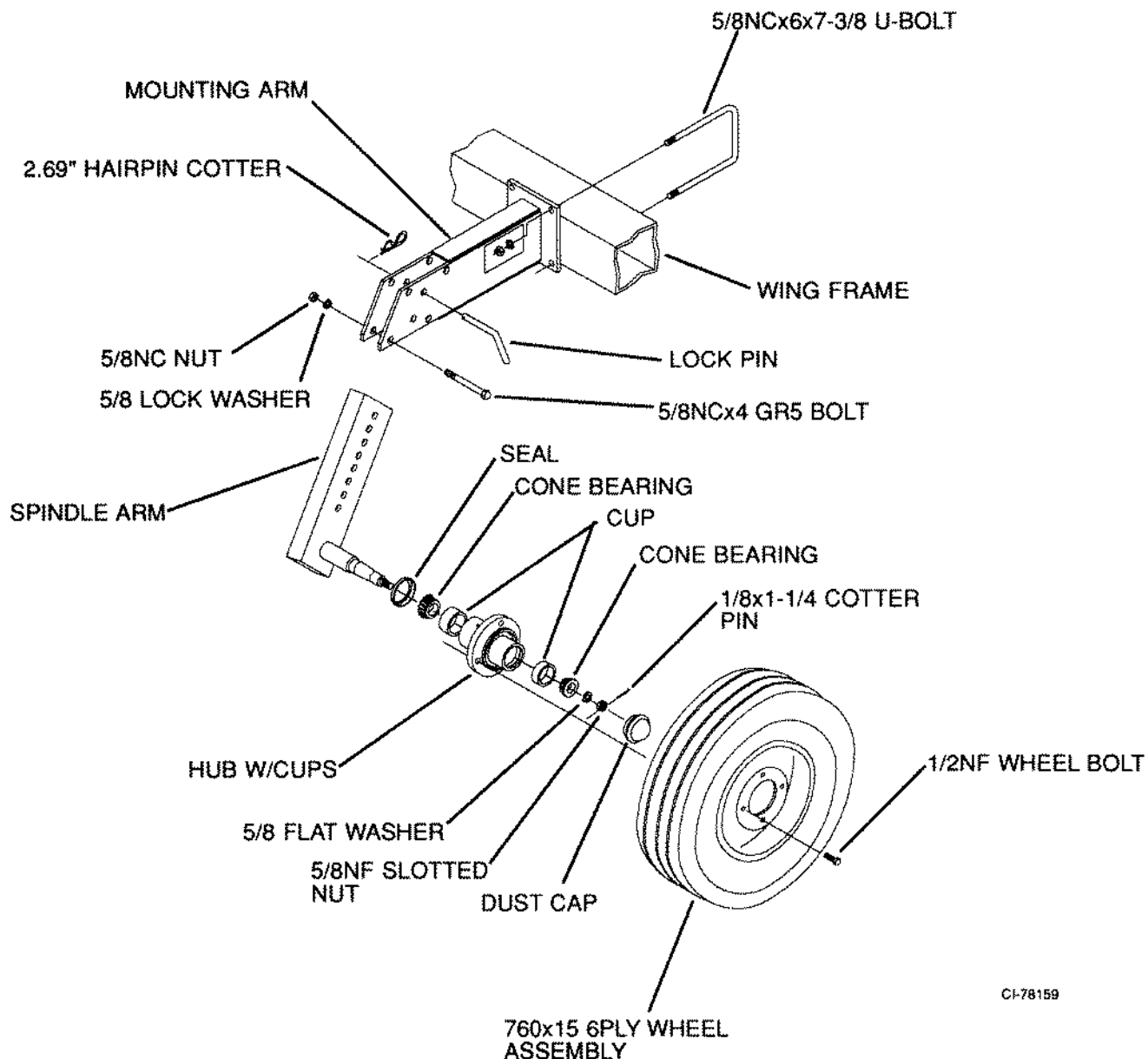
NOTE: A quick hitch may be helpful in some cases to help move the unit away from the cab.

CAUTION

TO AVOID INJURY AND/OR EQUIPMENT DAMAGE:

- Gauge wheel will not always clear tractor cab when cultivator is folded. Use caution when selecting a mounting location.

31944



CI-78159

FRONT BED SHANK ASSEMBLY

The sweep mounts are mounted to the front of the main tool bar of the 3PT Seedbed Finisher as shown.

The mounts are designed to attach by use of either a 5/8NCx6x7-3/8 or 5/8NCx7-1/8x8-1/2 U-bolt, dependent on the size of the tool bar. Position the row sweep mounts on the tool bar to match the row crop spacing of the field being worked. The sweep mounts should be directly over the row.

In the center of the main unit, near the tractor 3PT mounting area, the offset sweep legs will need to be used.

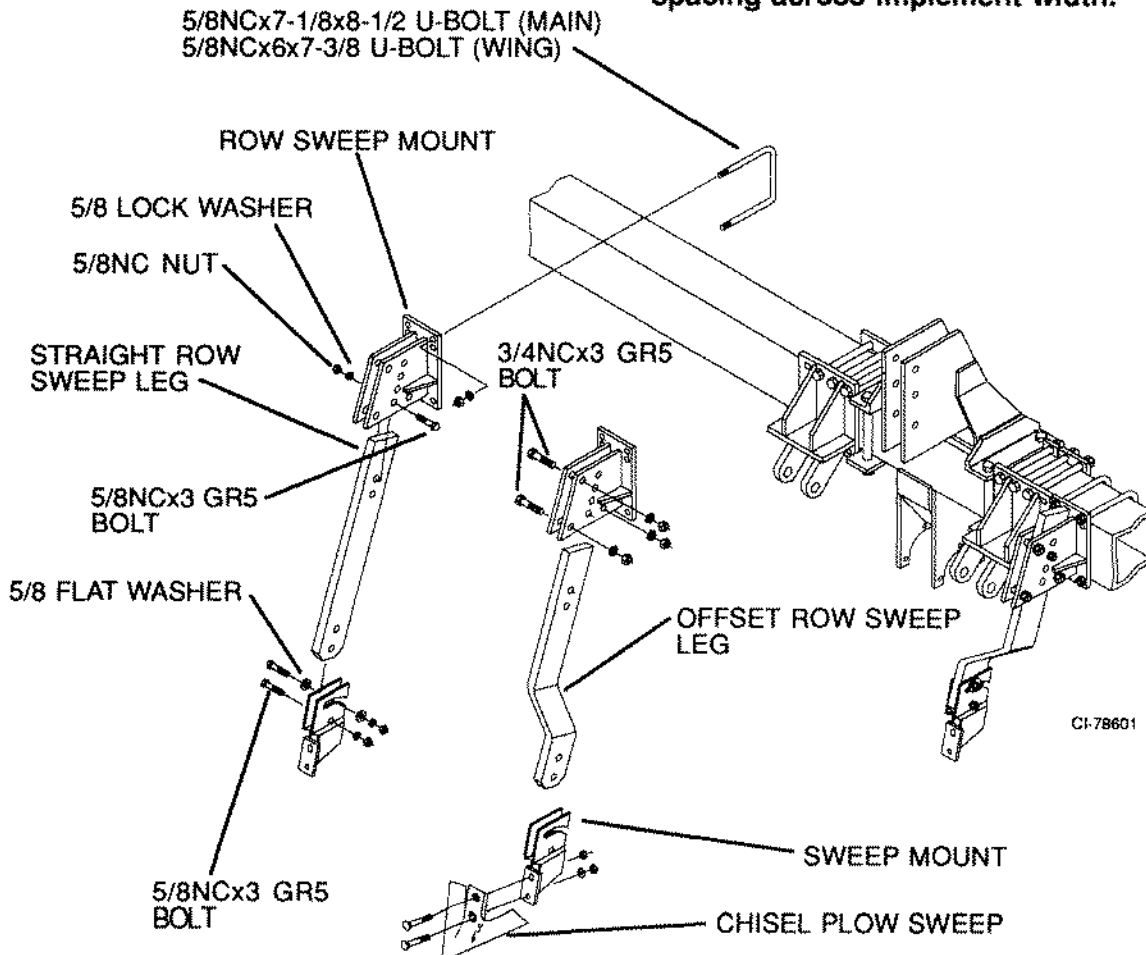
There may be other mounting locations on the main frame or wing sections which will require an offset sweep leg. In those situations measure to the sweep mounting holes on the sweep mount to position the assembly over the row center.

Mount a chisel plow sweep or spike to the sweep mount as shown. Position and adjust the sweep as shown below.

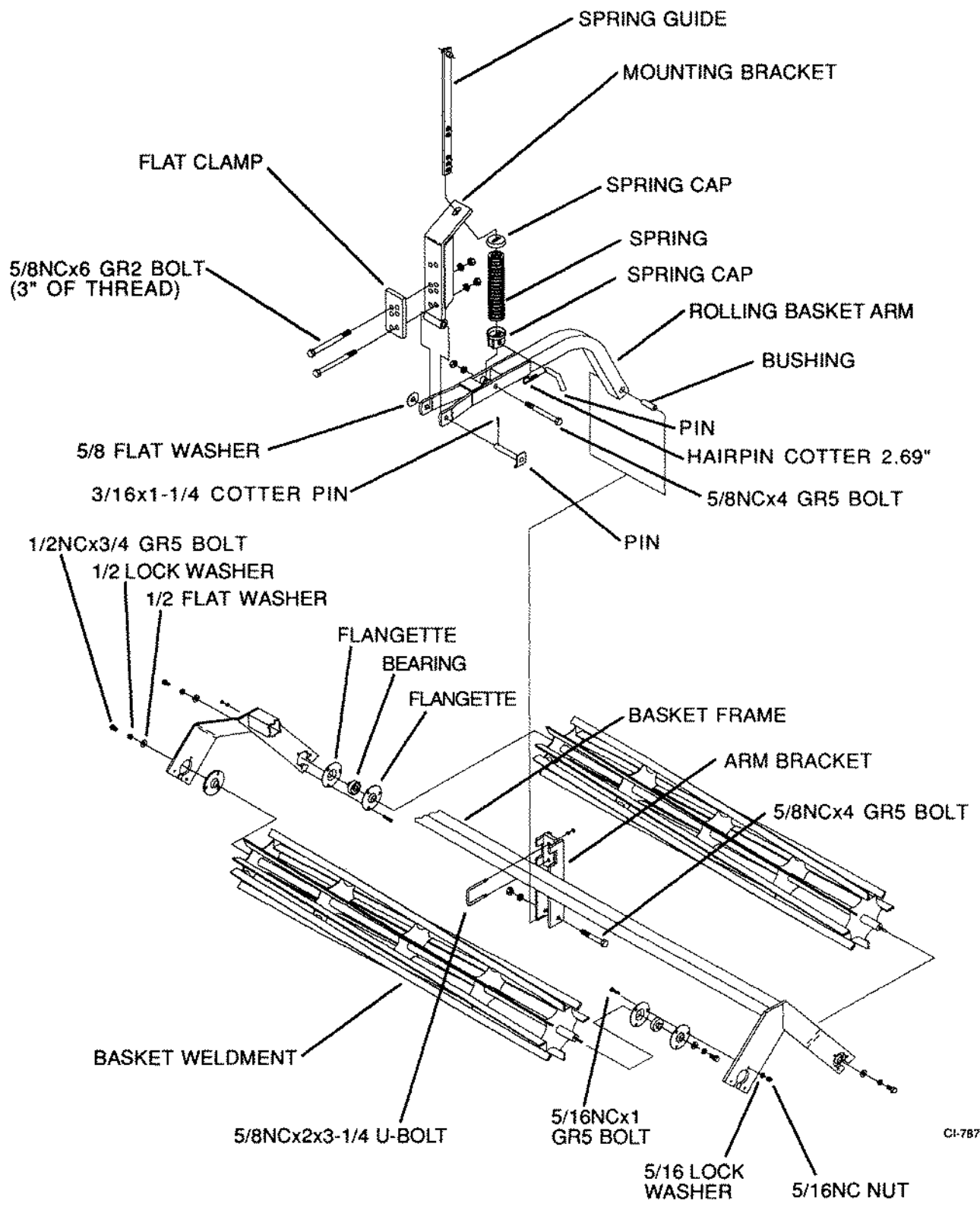
NOTE: When sweeps are used on the Seed Bed Finisher, a Quick Hitch adapter must be used to prevent sweeps from hitting the tractor tires.

The rear tractor tires must be located in the center of the particular row the unit is designed to till. With the row sweeps designed to run on the row, the tractor tires must be located between the sweeps. The sweeps will contact the tires if the tires are not spaced correctly. It is the operators responsibility to ensure that the row sweeps do not contact the tractor tires while operating, raising or transporting the unit.

NOTE: Offset Row Sweep Leg is offset left or right to avoid interference with other tool bar components and to maintain an even shank spacing across implement width.

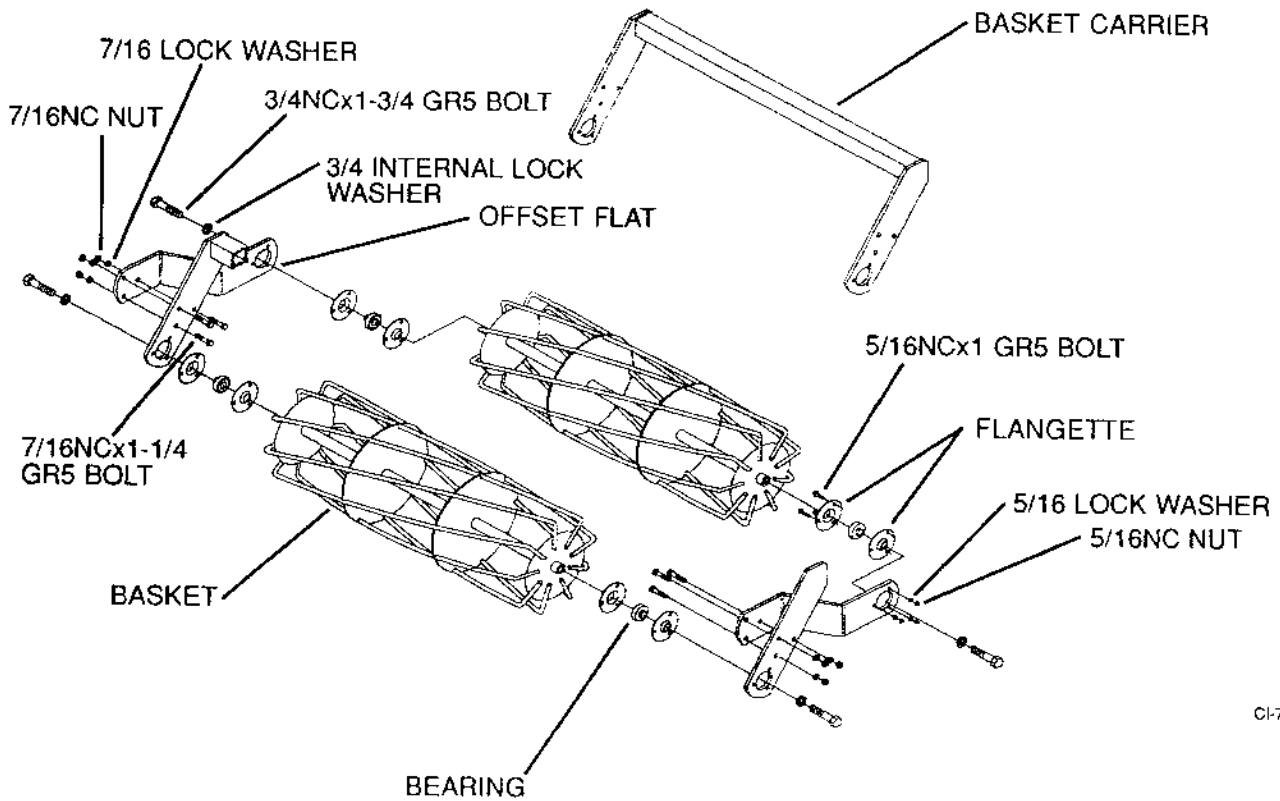
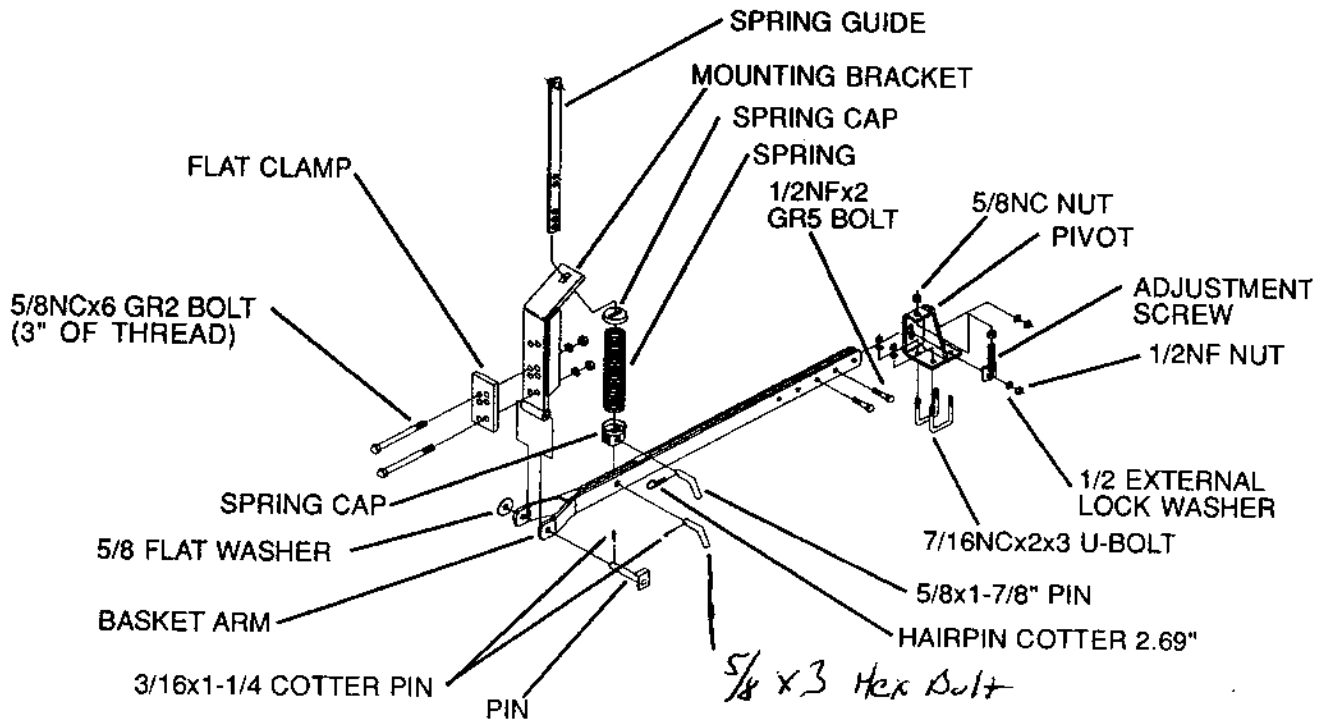


FLAT BAR BASKET



CI-78780

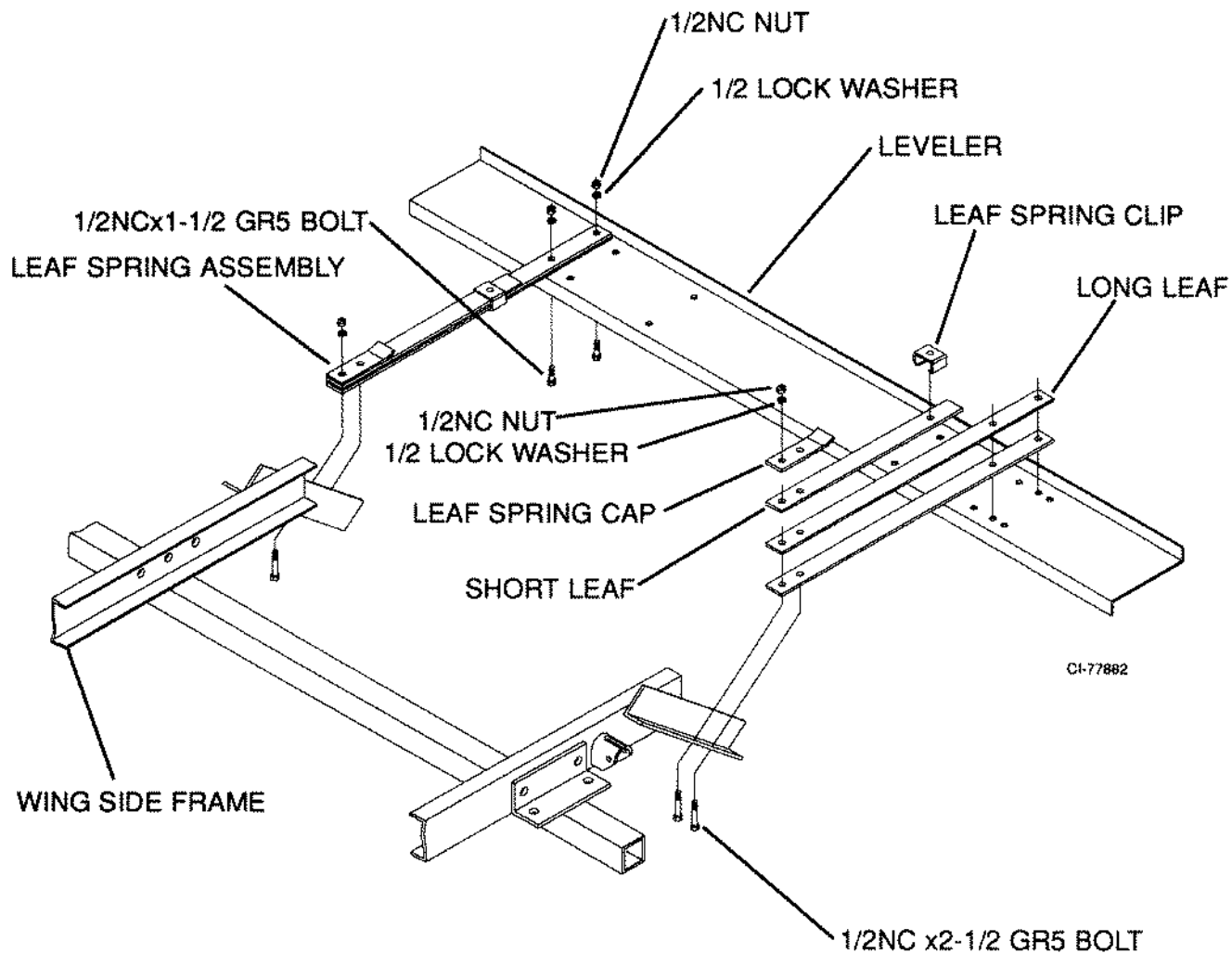
ROUND BAR BASKET



CI-77891

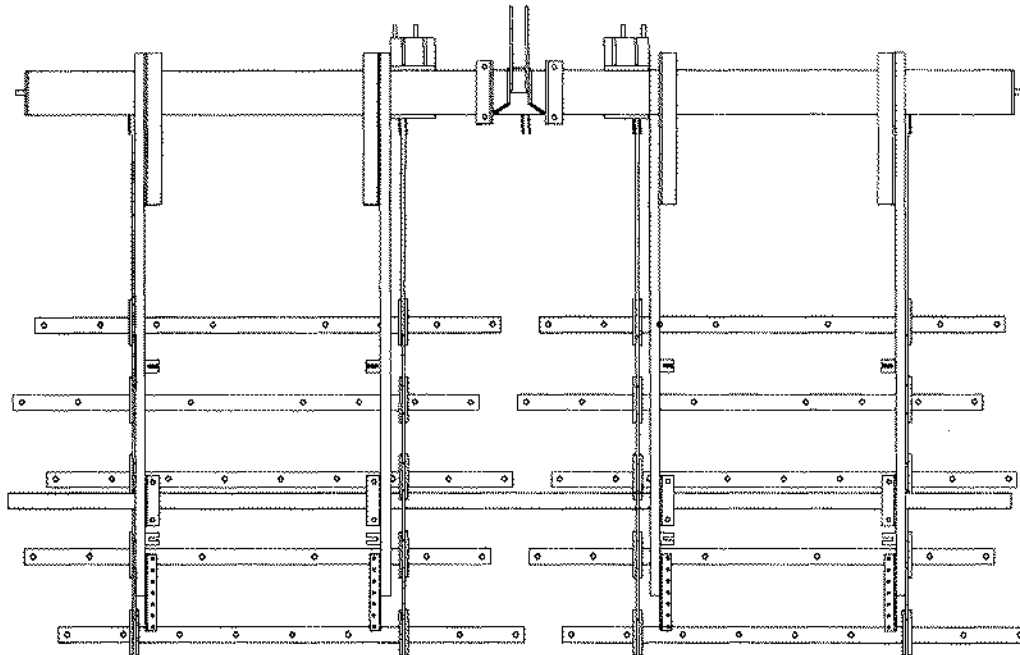
LEVELING BOARD

NOTE: See Operator's Manual for working heights and recommended starting positions.



6 ROW 30 PLACEMENTS

STANDARD EQUIPMENT SPIKE HARROW



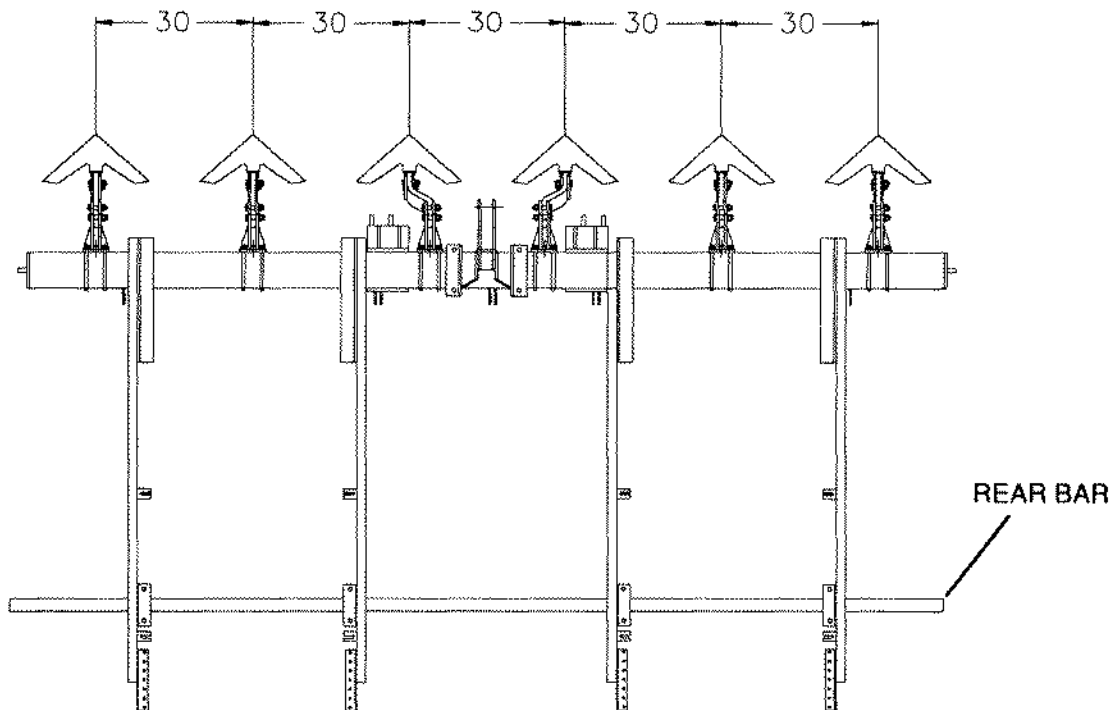
7'4" HARROW SECTION

7'4" HARROW SECTION

CI-78767

OPTIONAL EQUIPMENT FRONT BED SHANK ASSEMBLIES

NOTE: Use Category 2 Quick Hitch only.



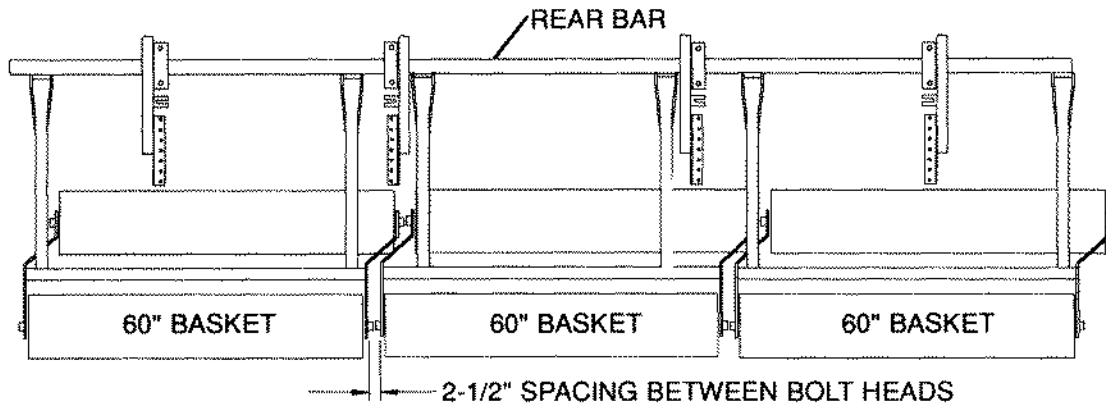
CI-78767B

6 ROW 30 SBF REAR ATTACHMENT ARRANGEMENTS

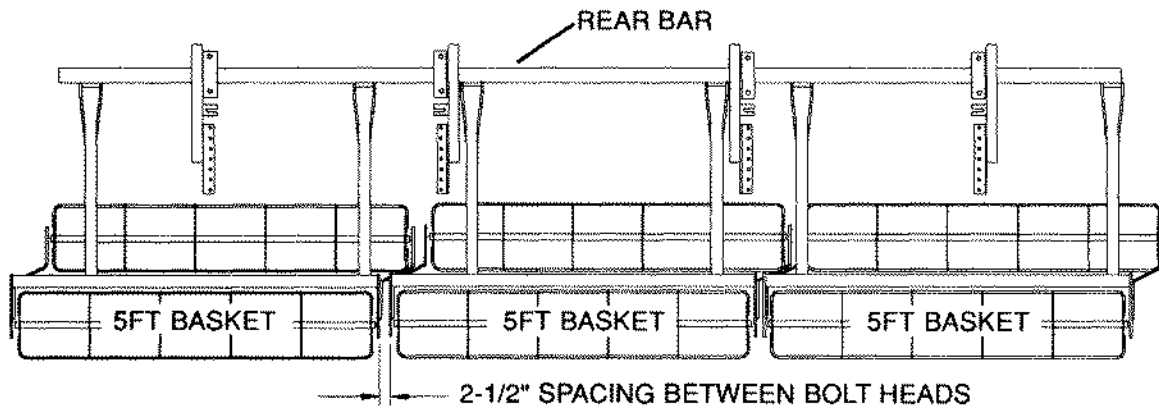
NOTE: Optional attachments shown below are shown from the rear bar back.

NOTE: Locate and mount basket arms approximately as shown. The basket arms must be mounted out as far as possible on the basket carriers.

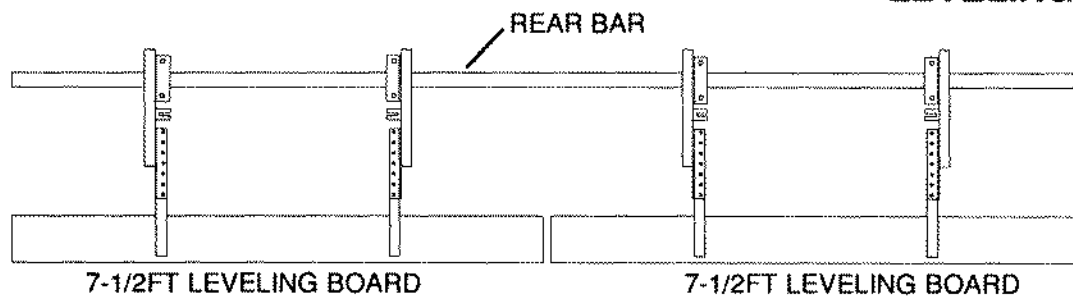
OPTIONAL EQUIPMENT FLAT BAR BASKET



OPTIONAL EQUIPMENT ROUND BAR BASKET



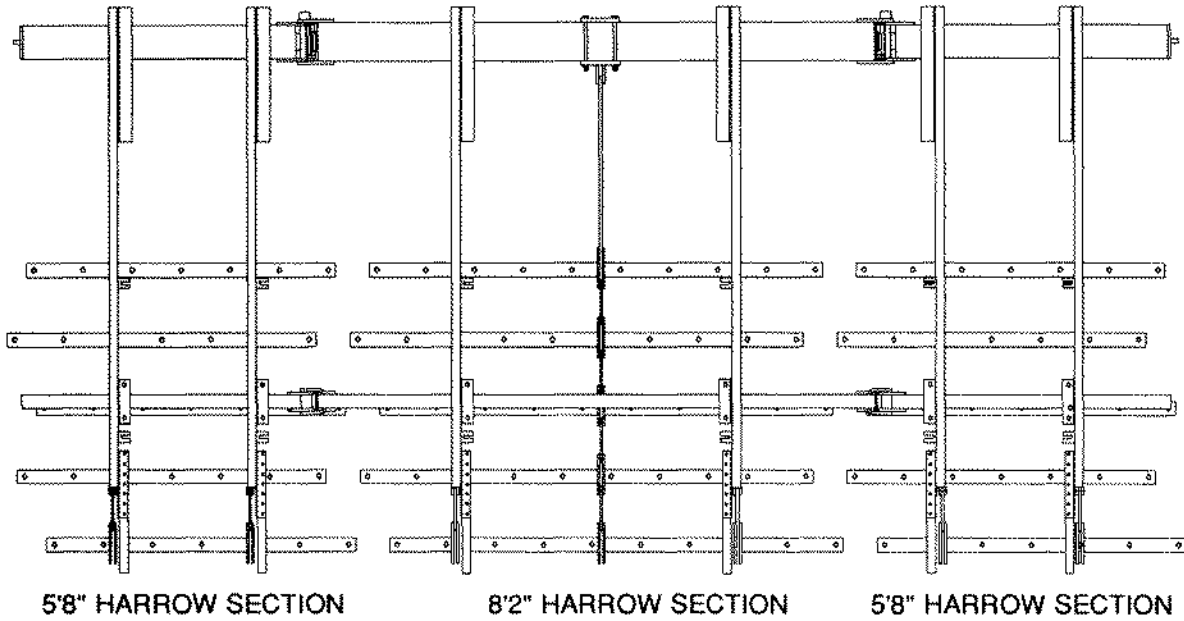
OPTIONAL EQUIPMENT LEVELING BOARDS



CI-78767A

8 ROW 30 PLACEMENTS

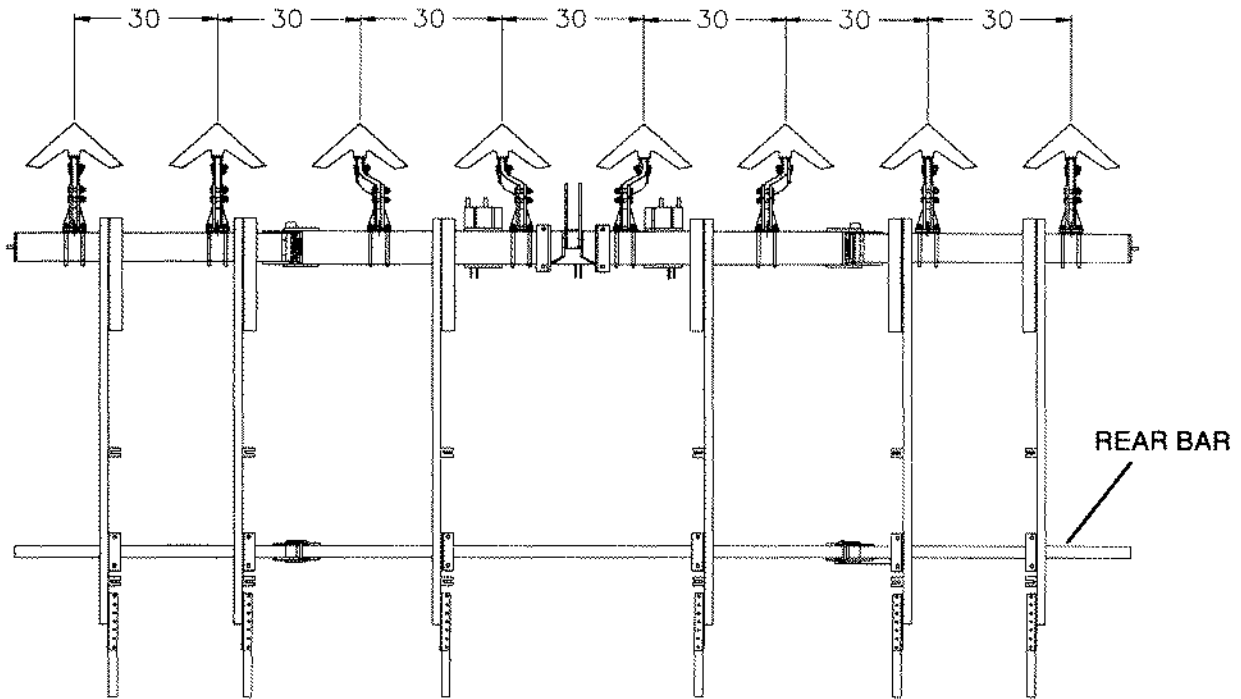
STANDARD EQUIPMENT SPIKE HARROW



OPTIONAL EQUIPMENT FRONT BED SHANK ASSEMBLIES

CI-78768

NOTE: Use Catagory 2 Quick Hitch only.



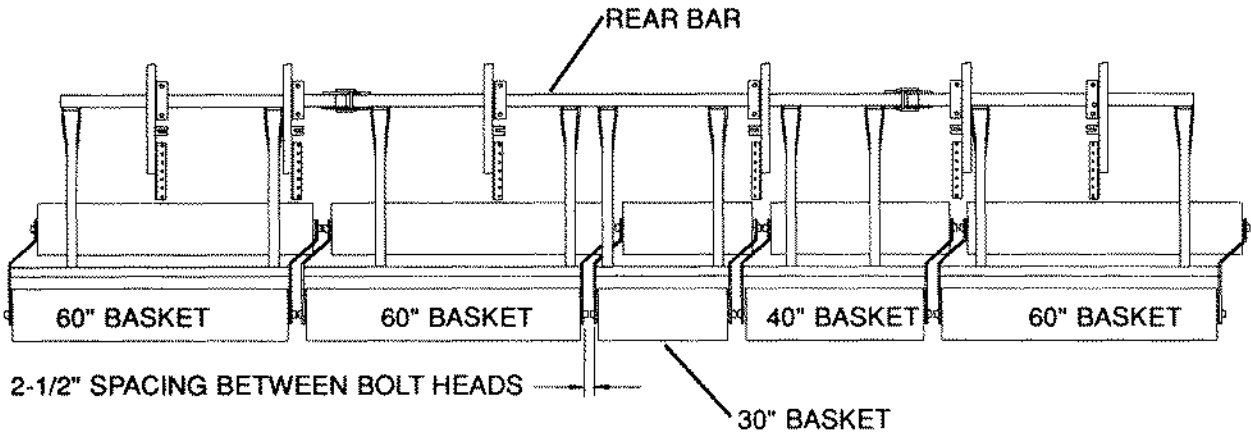
CI-78768B

8 ROW 30 SBF REAR ATTACHMENT ARRANGEMENTS

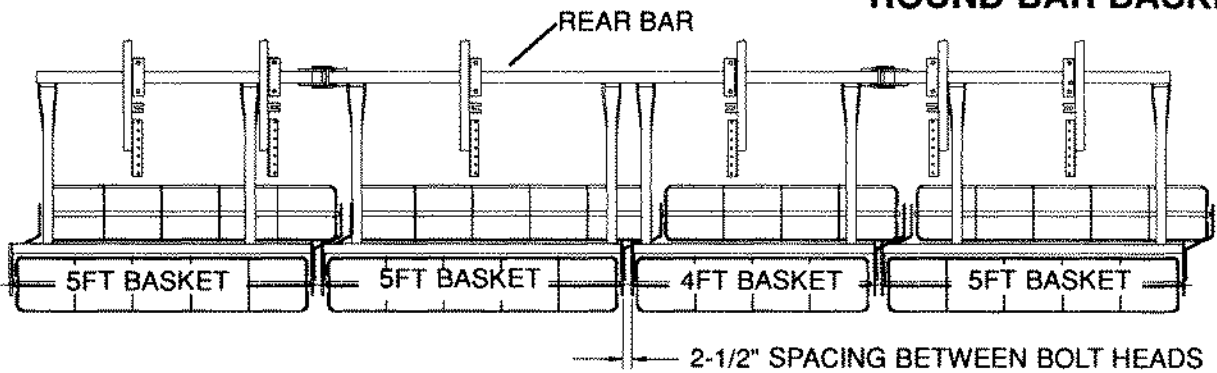
NOTE: Optional attachments shown below are shown from the rear bar back.

NOTE: Locate and mount basket arms approximately as shown. The basket arms must be mounted out as far as possible on the basket carriers.

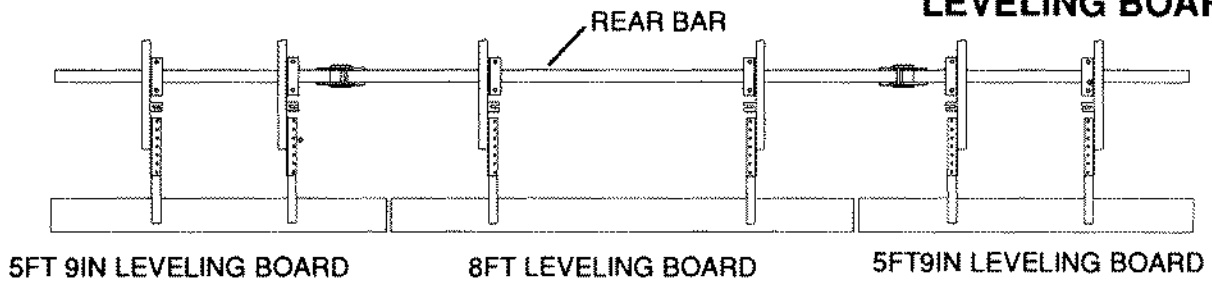
OPTIONAL EQUIPMENT FLAT BAR BASKET



OPTIONAL EQUIPMENT ROUND BAR BASKET



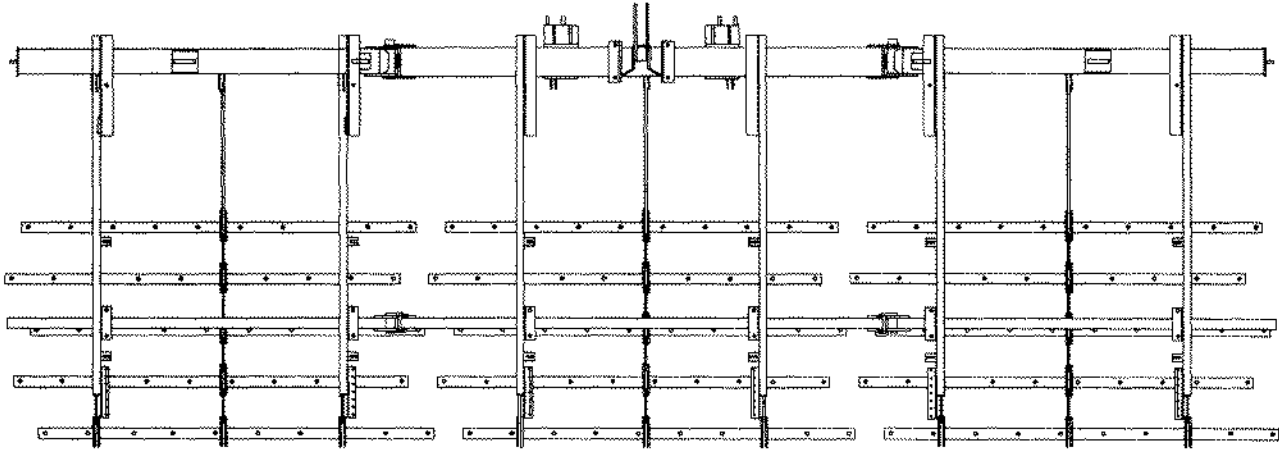
OPTIONAL EQUIPMENT LEVELING BOARDS



CI-78768A

10 ROW 30 PLACEMENTS

STANDARD EQUIPMENT SPIKE HARROW



8'2" HARROW SECTION

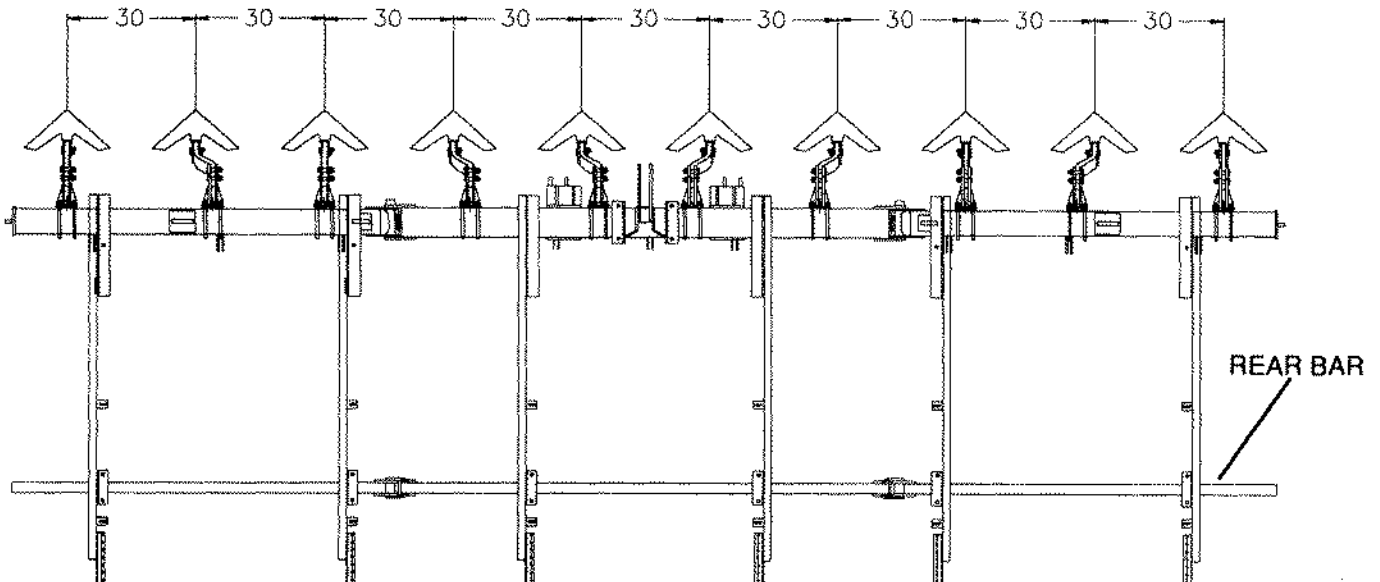
8'2" HARROW SECTION

8'2" HARROW SECTION

CI-7876B

OPTIONAL EQUIPMENT FRONT BED SHANK ASSEMBLIES

NOTE: Use Catagory 2 Quick Hitch only.



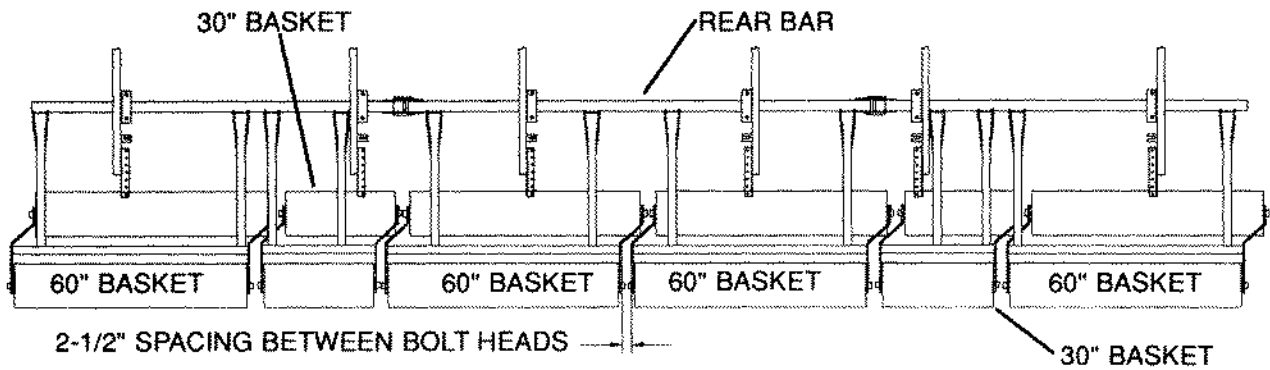
CI-78769A

10 ROW 30 SBF REAR ATTACHMENT ARRANGEMENTS

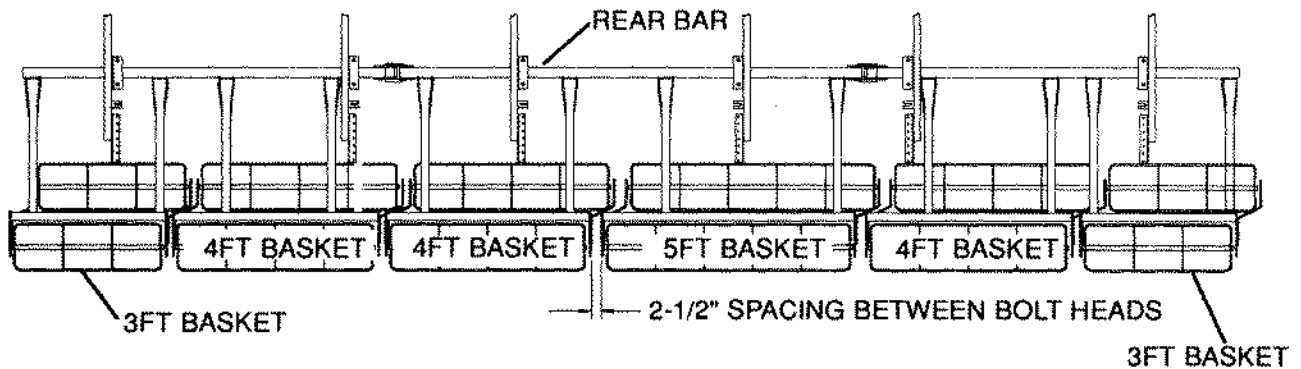
NOTE: Optional attachments shown below are shown from the rear bar back.

NOTE: Locate and mount basket arms approximately as shown. The basket arms must be mounted out as far as possible on the basket carriers.

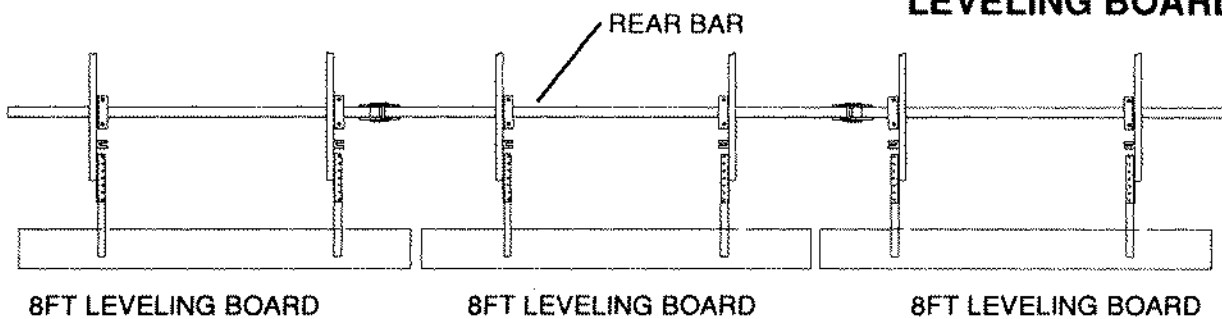
OPTIONAL EQUIPMENT FLAT BAR BASKET



OPTIONAL EQUIPMENT ROUND BAR BASKET



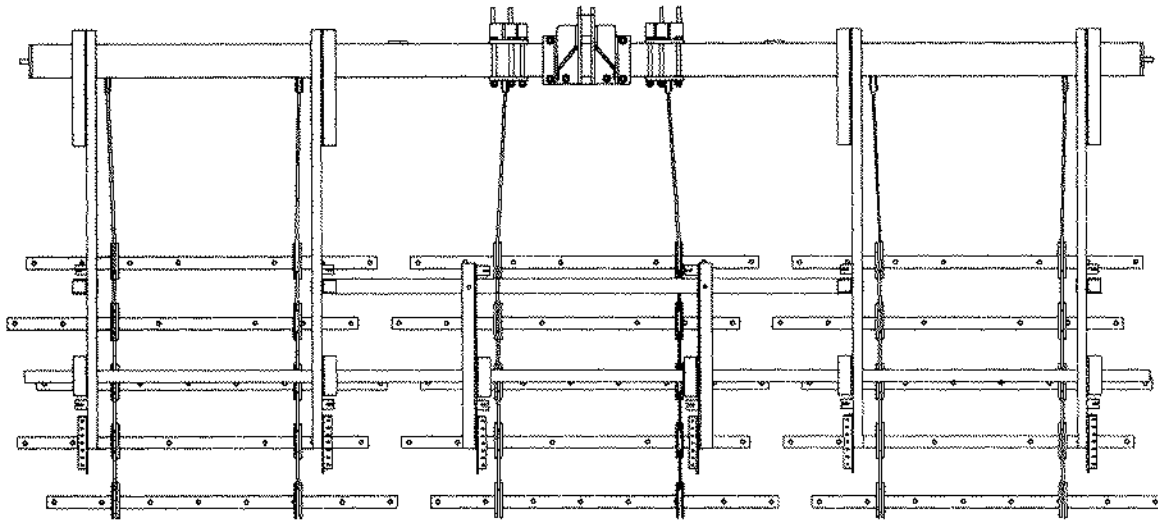
OPTIONAL EQUIPMENT LEVELING BOARDS



CI-797688

6 ROW 40 RIGID PLACEMENTS

STANDARD EQUIPMENT SPIKE HARROW



6'6" HARROW SECTION

6'6" HARROW SECTION

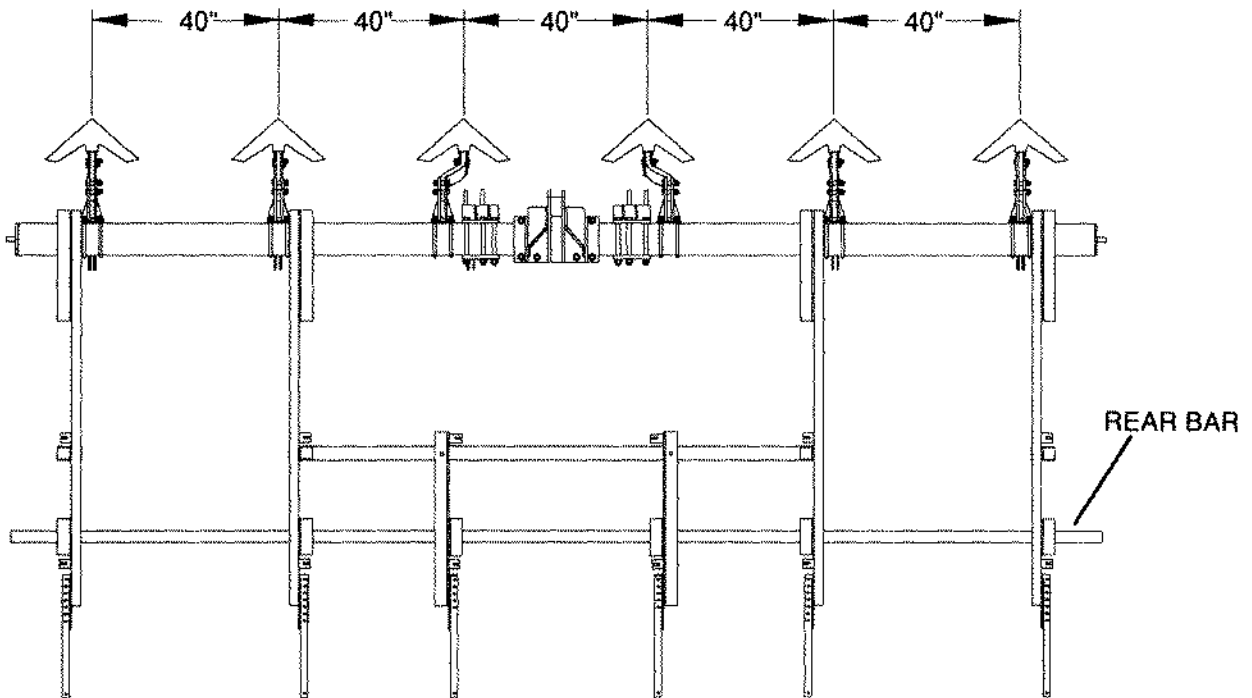
6'6" HARROW SECTION

OPTIONAL EQUIPMENT FRONT BED SHANK ASSEMBLIES

NOTE: 4 center shanks must be placed as shown to clear 3PT hitch components.

CI-78782

NOTE: Use Category 2 Quick Hitch only.



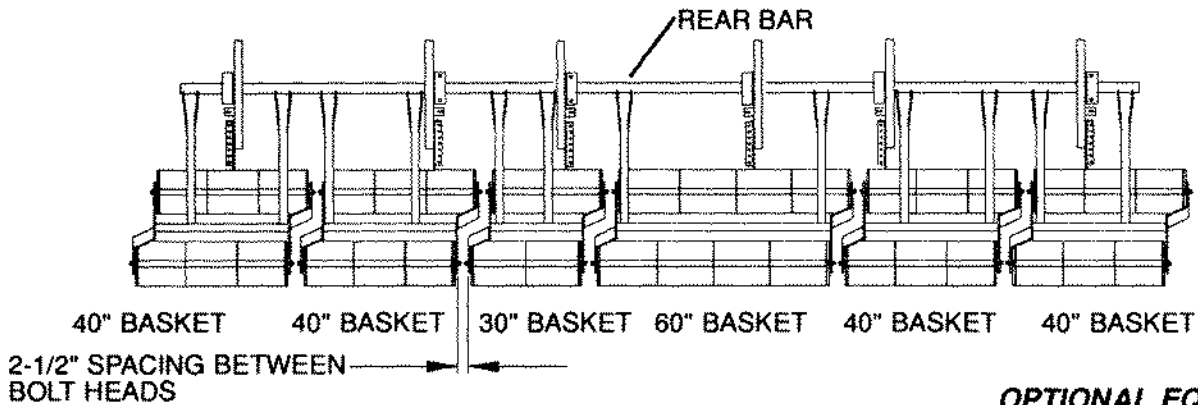
CI-78782A

6 ROW 40 SBF REAR ATTACHMENT ARRANGEMENTS

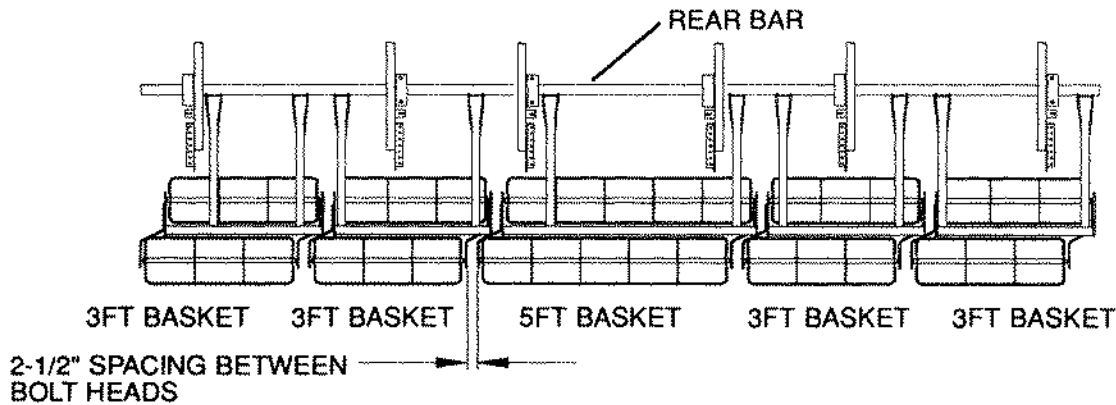
NOTE: Optional attachments shown below are shown from the rear bar back.

NOTE: Locate and mount basket arms approximately as shown. The basket arms must be mounted out as far as possible on the basket carriers.

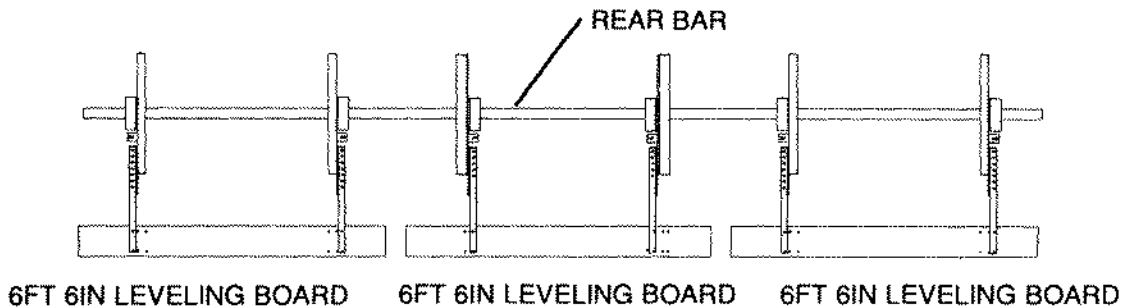
OPTIONAL EQUIPMENT FLAT BAR BASKET



OPTIONAL EQUIPMENT ROUND BAR BASKET



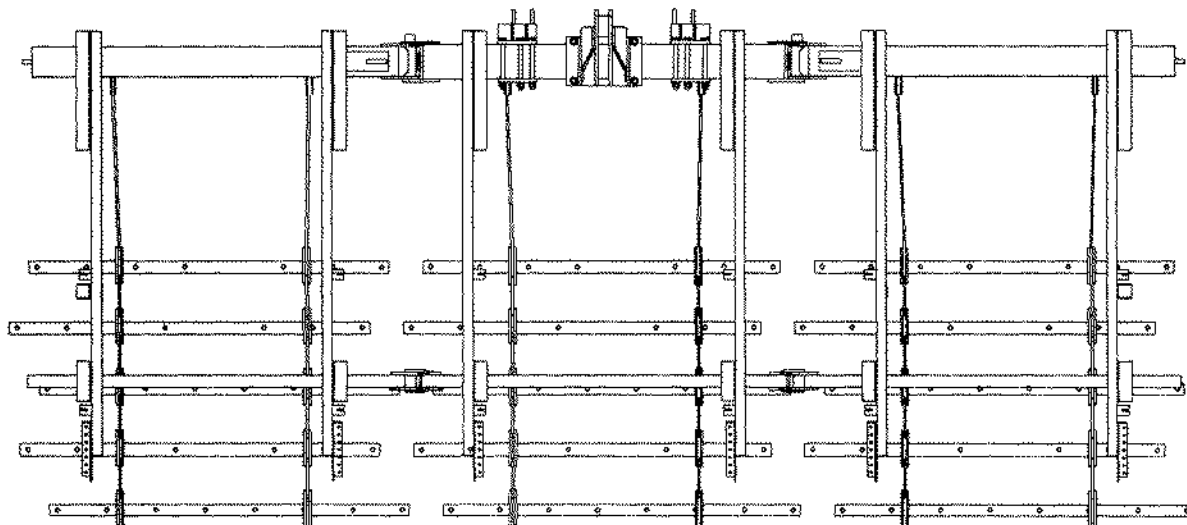
OPTIONAL EQUIPMENT LEVELING BOARDS



CI-78782B

6 ROW 40 PLACEMENTS

STANDARD EQUIPMENT SPIKE HARROW



6" HARROW SECTION

6" HARROW SECTION

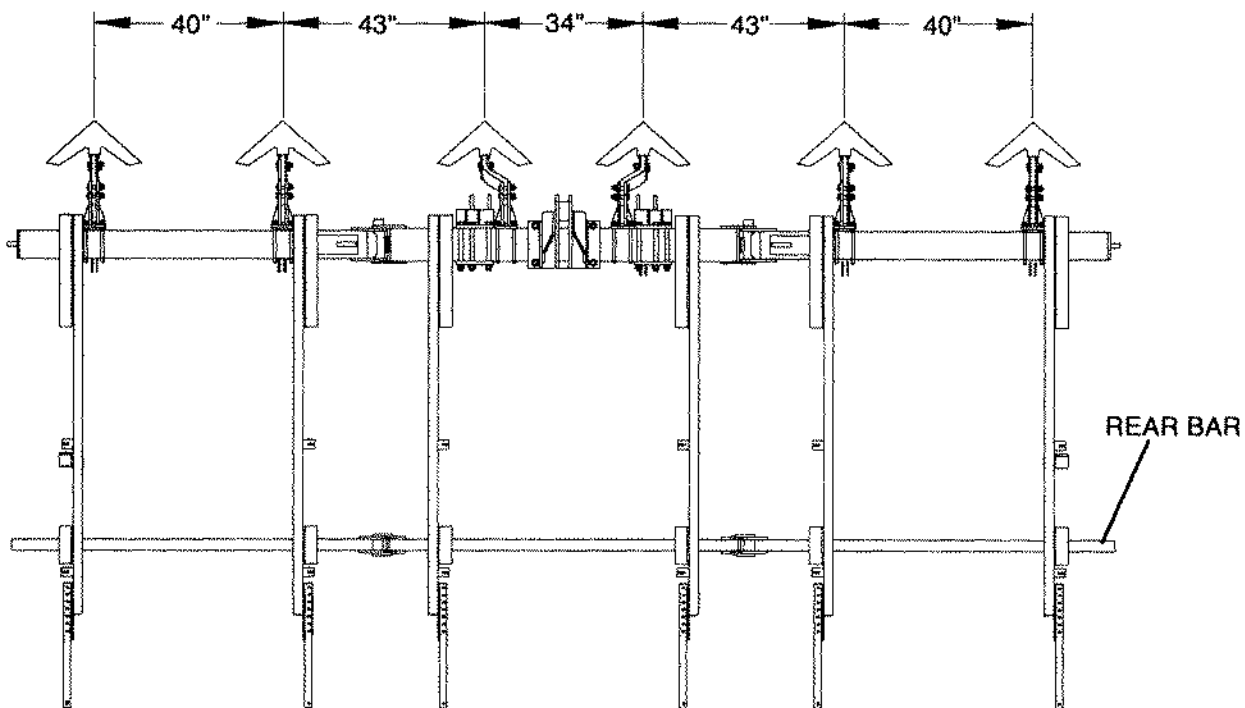
6" HARROW SECTION

CI-78784

OPTIONAL EQUIPMENT FRONT BED SHANK ASSEMBLIES

NOTE: 4 center shanks must be placed as shown to clear 3PT hitch components.

NOTE: Use Category 2 Quick Hitch only.



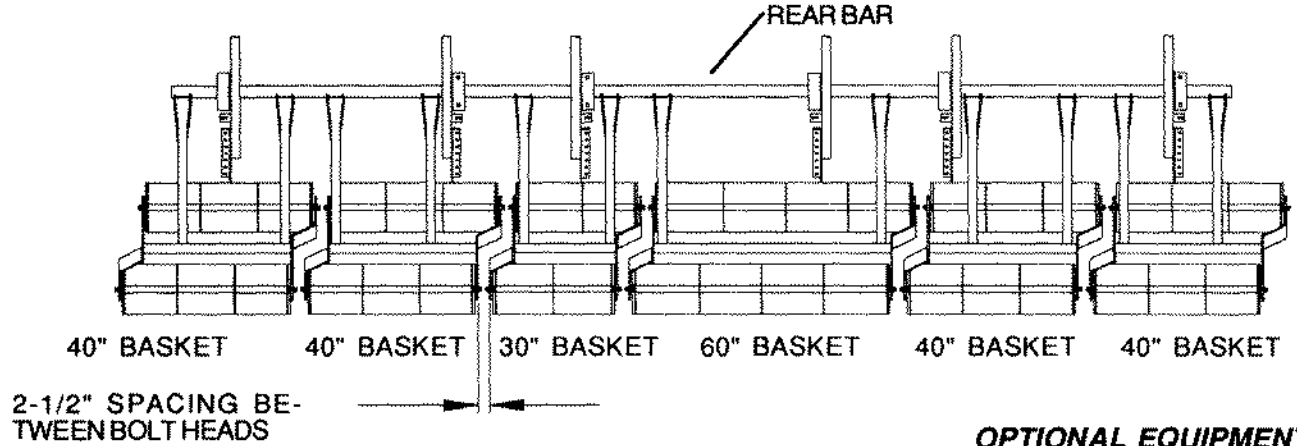
CI-78784A

6 ROW 40 SBF REAR ATTACHMENT ARRANGEMENTS

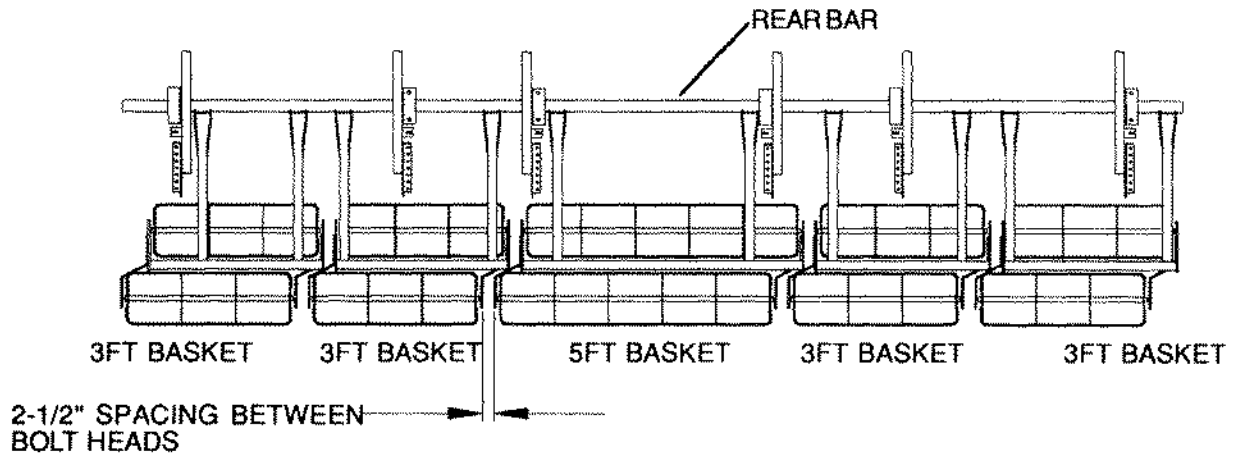
NOTE: Optional attachments shown below are shown from the rear bar back.

NOTE: Locate and mount basket arms approximately as shown. The basket arms must be mounted out as far as possible on the basket carriers.

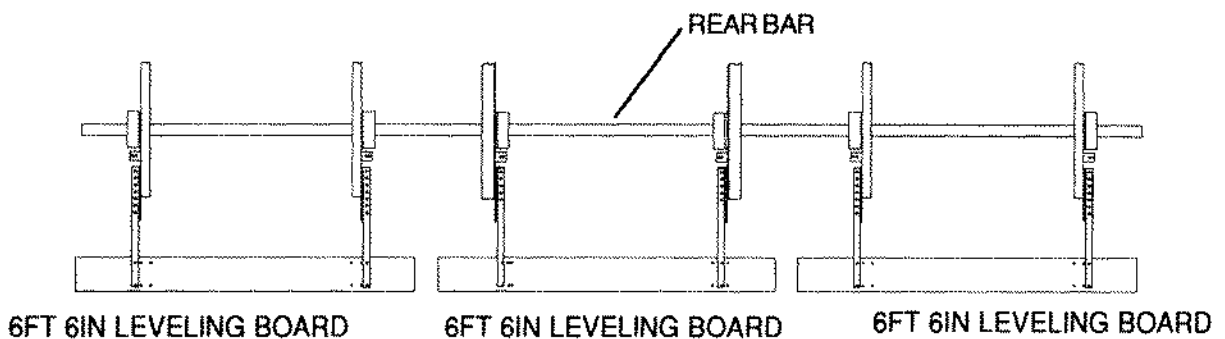
OPTIONAL EQUIPMENT FLAT BAR BASKET



OPTIONAL EQUIPMENT ROUND BAR BASKET



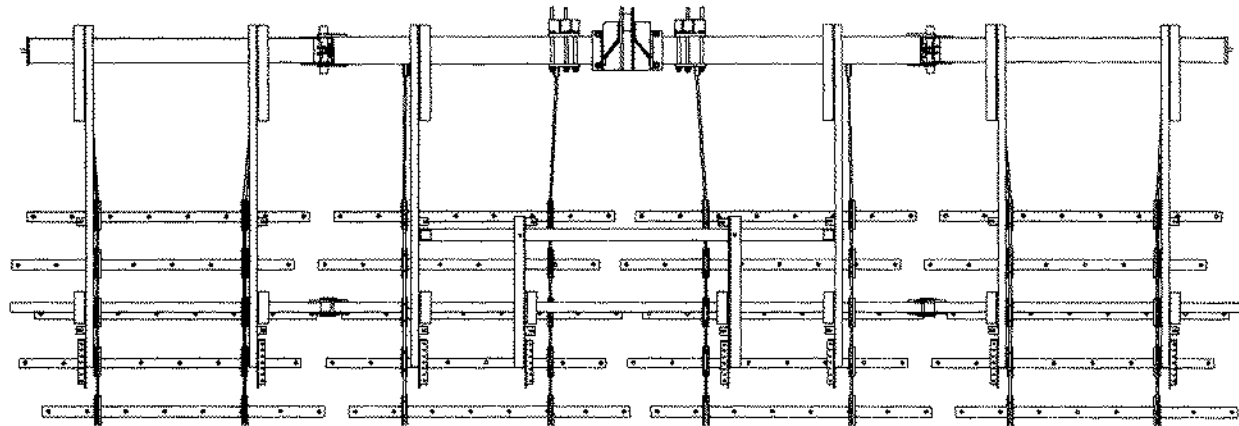
OPTIONAL EQUIPMENT LEVELING BOARDS



CI-78784B

8 ROW 40 PLACEMENTS

STANDARD EQUIPMENT SPIKE HARROW



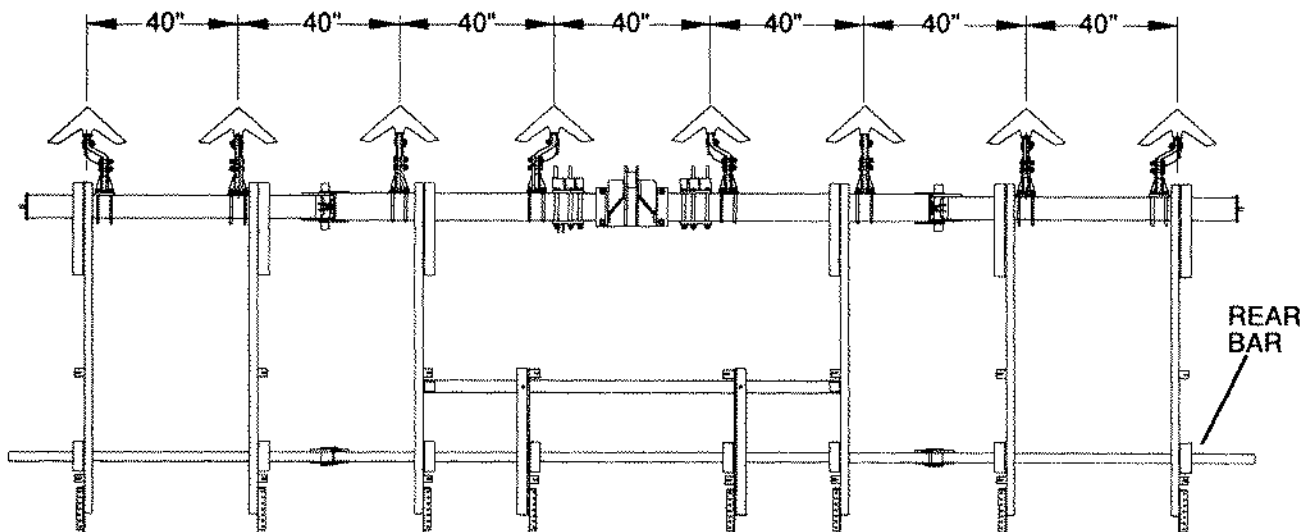
6'6" HARROW SECTION 6'6" HARROW SECTION 6'6" HARROW SECTION 6'6" HARROW SECTION

CI-78785

OPTIONAL EQUIPMENT FRONT BED SHANK ASSEMBLIES

NOTE: 4 center shanks must be placed as shown to clear 3PT hitch components.

NOTE: Use Category 2 Quick Hitch only.



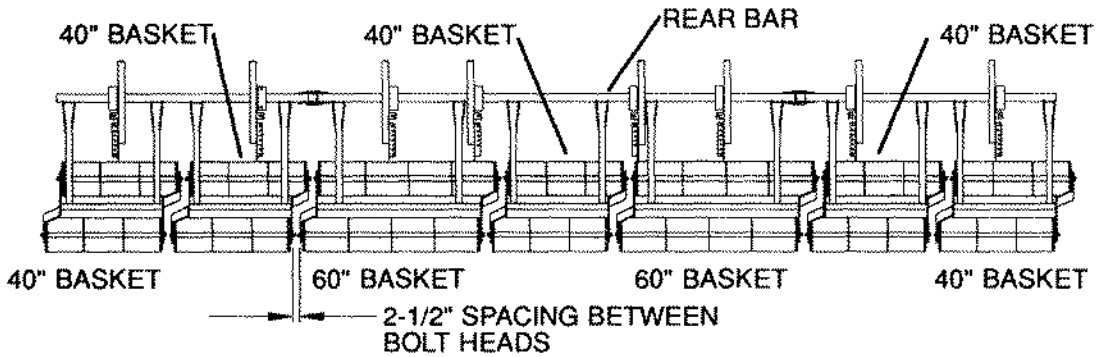
CI-78785A

8 ROW 40 SBF REAR ATTACHMENT ARRANGEMENTS

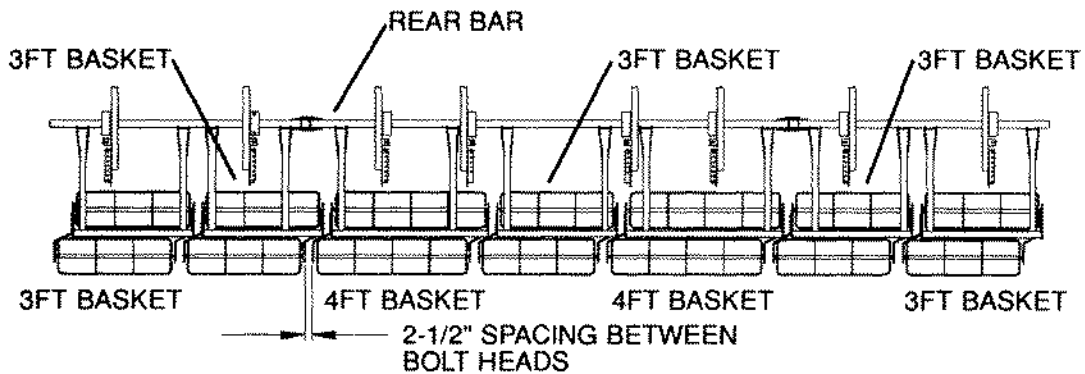
NOTE: Optional attachments shown below are shown from the rear bar back.

NOTE: Locate and mount basket arms approximately as shown. The basket arms must be mounted out as far as possible on the basket carriers.

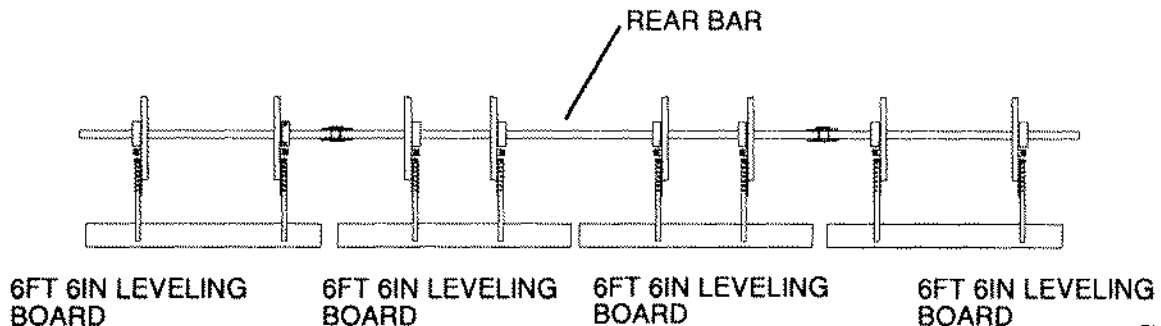
OPTIONAL EQUIPMENT FLAT BAR BASKET



OPTIONAL EQUIPMENT ROUND BAR BASKET



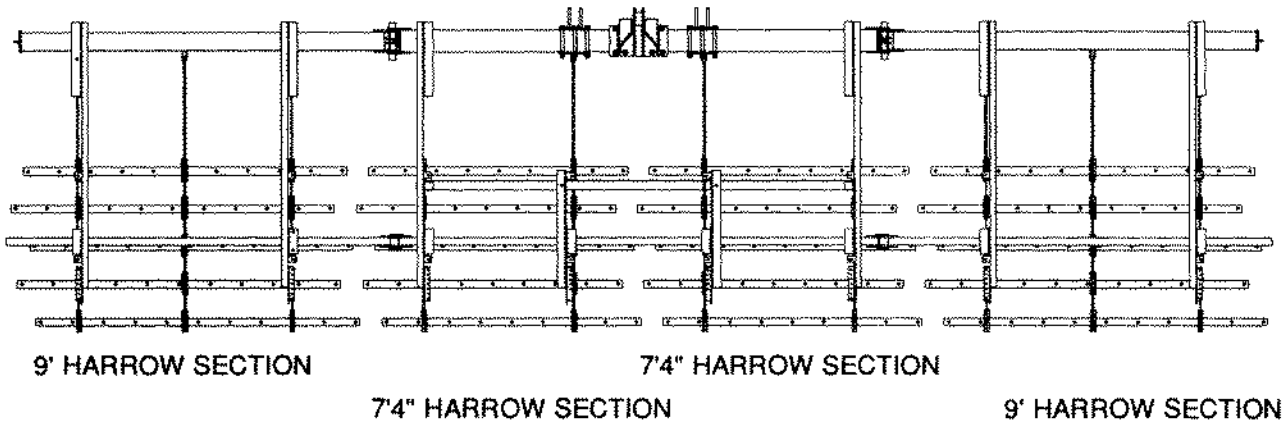
OPTIONAL EQUIPMENT LEVELING BOARDS



CI-78785B

10 ROW 40 PLACEMENTS

STANDARD EQUIPMENT SPIKE HARROW

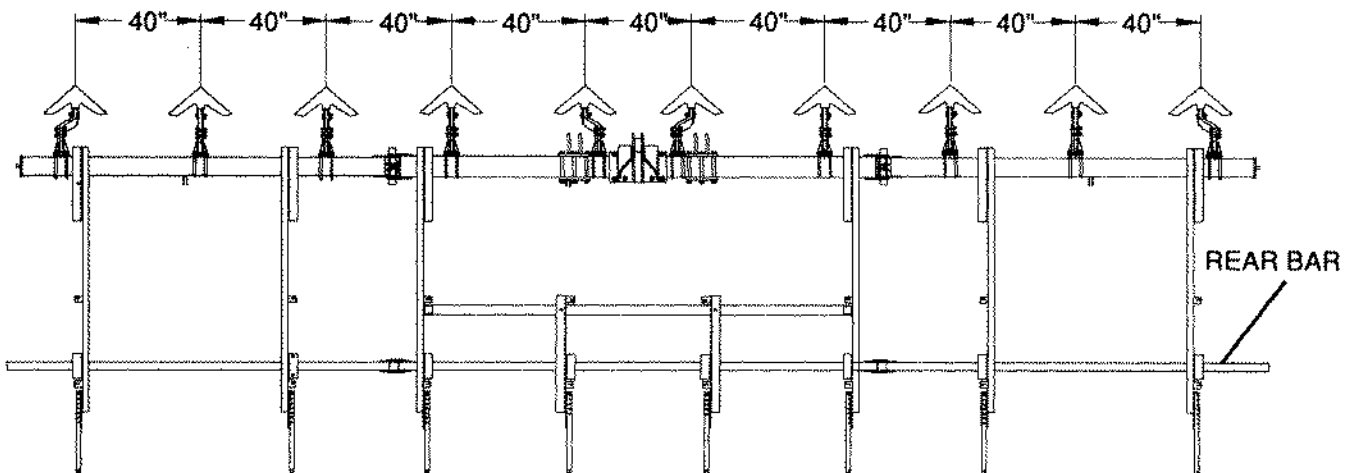


CI-78781

OPTIONAL EQUIPMENT FRONT BED SHANK ASSEMBLIES

NOTE: 4 center shanks must be placed as shown to clear 3PT hitch components.

NOTE: Use Category 3 Quick Hitch only.



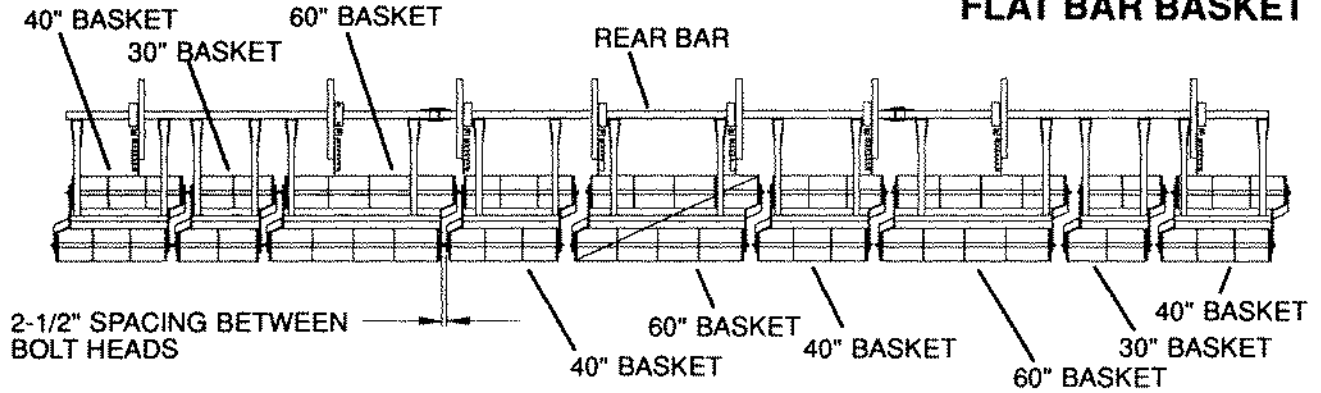
CI-78781B

10 ROW 40 SBF REAR ATTACHMENT ARRANGEMENTS

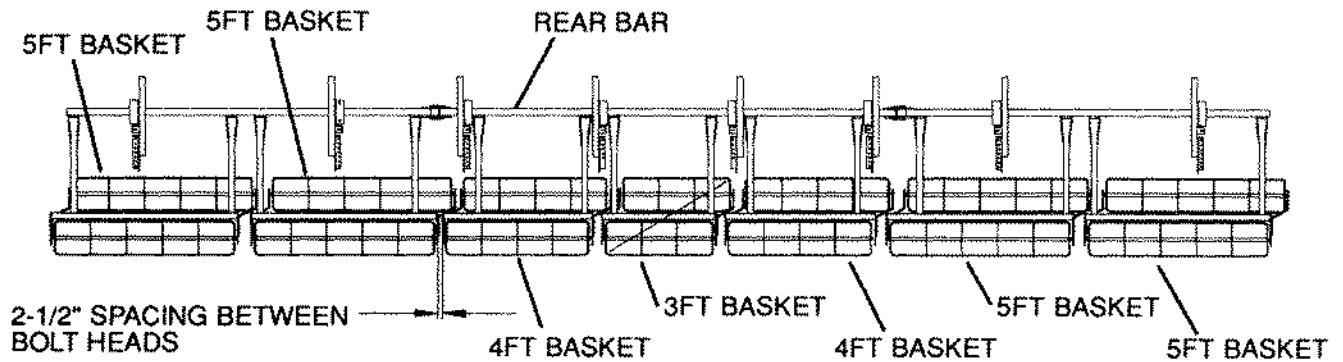
NOTE: Optional attachments shown below are shown from the rear bar back.

NOTE: Locate and mount basket arms approximately as shown. The basket arms must be mounted out as far as possible on the basket carriers.

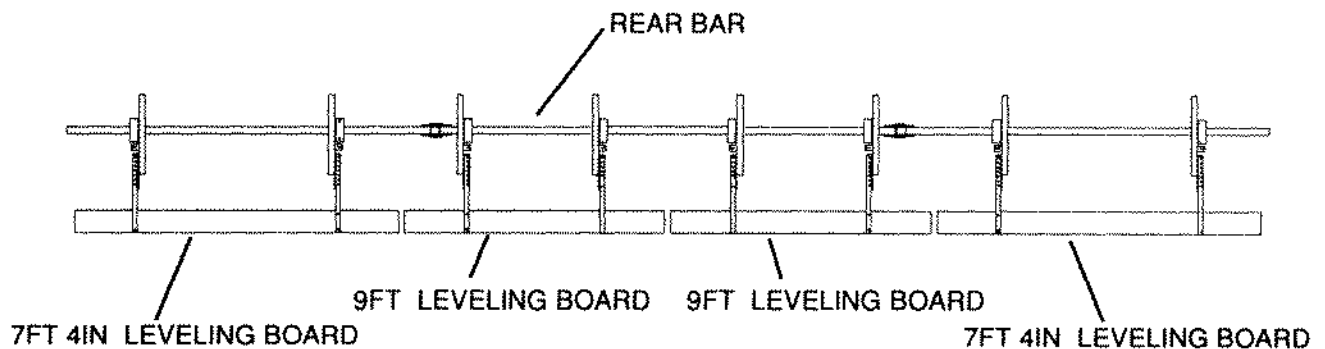
OPTIONAL EQUIPMENT FLAT BAR BASKET



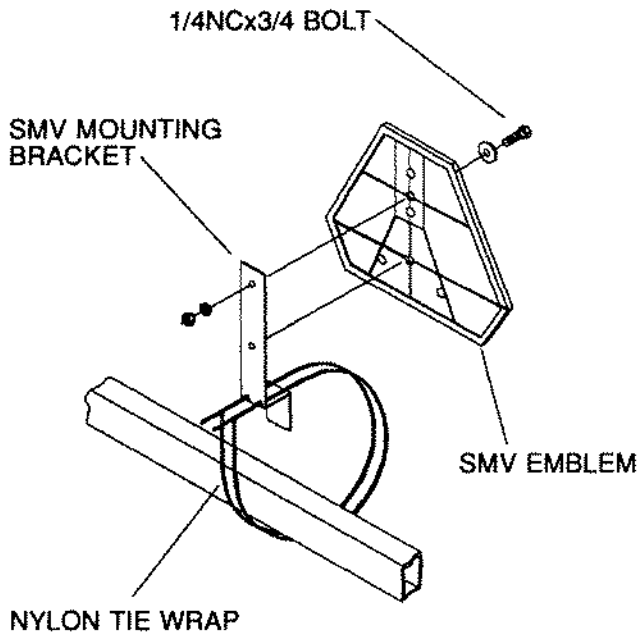
OPTIONAL EQUIPMENT ROUND BAR BASKET



OPTIONAL EQUIPMENT LEVELING BOARDS



SAFETY



CI-77643

The bracket provided is designed to mount to numerous frame sizes and can be orientated in numerous positions to avoid interference with implement components.

The SMV emblem is to be secured as near to the rear and centered, or as near to the left of center of the implement as practical.

The emblem is to be 2 to 6 feet above the ground, measured from the lower edge of the emblem.

The use of flashing warning lights and turn signals is recommended when pulling this implement on public roads.

Keep safety decals clean. Replace any safety decals that are damaged, destroyed, missing, painted over or can no longer be read. Replacement safety decals are available through your dealer.

